

RockStar® Housings IP65 / NEMA Type 4X

RockStar® Housings IP65 / NEMA Type 4X	Overview	D.2
	RockStar® Housings IP65 / NEMA Type 4X	D.4

RockStar® Housings IP65 / NEMA Type 4X

D



Weidmüller's RockStar® IP 65 / NEMA Type 4X housings are your first choice when it comes to industrial housings in IP 65 class of protection.

Features:

- Housing of cast aluminium alloy or thermoplastic Size 1
- All fittings (clamps and pins) of rust proof stainless steel

Typical applications:

- general mechanical and plant engineering
- rail engineering
- conveying and transport technology
- packing machines
- crane construction and industrial robots
- toolmaking and special-purpose machine building
- fairground rides
- stage and lighting equipment

Various versions:

- different sizes
- different housing types
- different types of construction
- different locking systems
- different cable entries
- with or without cover

Their advantages:

- multiple plugging and unplugging of electrical connections
- reliable assembly under time pressure
- corrosion protection
- IP65 for both aluminium and plastic housings
- NEMA Type 4X for both aluminium and plastic housings

RockStar® Housings IP65 / NEMA Type 4X

Plastic housing

Size 1

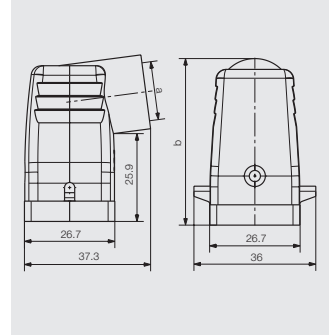
Hood



Hood, Cable Entry sideways



a	Version	Cover	b (mm)	Designation	Order No.
M20	with thread		49,2	HDC 07A TWLU 1M20G	1788510000
PG 11	with thread		49,2	HDC 07A TWLU 1PG11G	1652400000

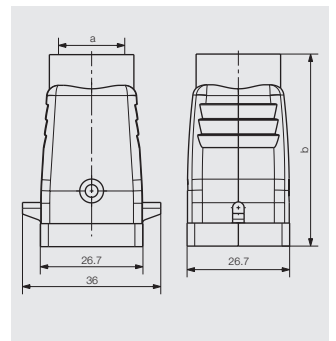


D

Hood, Cable Entry at top



a	Version	Cover	b (mm)	Designation	Order No.
M20	with thread		50	HDC 07A TOLU 1M20G	1788520000
PG 11	with thread		50	HDC 07A TOLU 1PG11G	1652380000



Plastic housing

Size 1

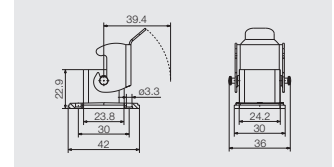


Base

Bulkhead housing



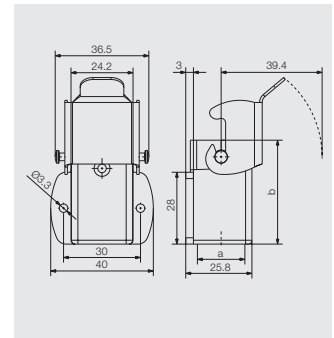
Version	Cover	b (mm)	Designation	Order No.
	without cover	23	HDC 07A ALU	1652410000
	angled	without cover 26.7	HDC 07A AWLU	1652420000



Base housing



a	Version	Cover	b (mm)	Designation	Order No.
M20	with thread	without cover	41.5	HDC 07A SLU 1M20G	1788530000
PG 11	with sleeve	without cover	41.5	HDC 07A SLU 1PG11S	1652440000

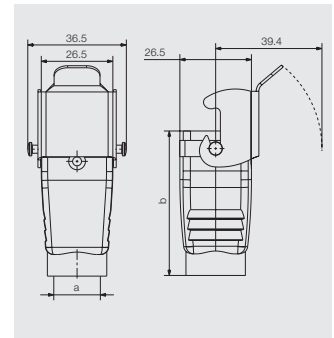


D

Coupling hood



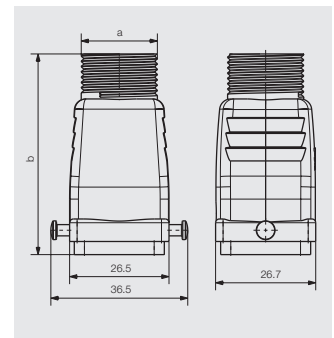
a	Version	Cover	b (mm)	Designation	Order No.
M20	with thread		53.5	HDC 07A KOLU 1M20G	1788540000
PG 11	with thread		53.5	HDC 07A KOLU 1PG11G	1652460000



Screw mounting housing



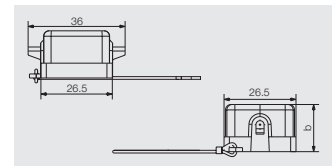
a	Version	Cover	b (mm)	Designation	Order No.
PG 13.5	with thread		54	HDC 07A ELU 1PG13S	1900990000



Cover



Version	Designation	Order No.
for female insert	HDC 07A DMDL 2BO	1665770000
for male insert	HDC 07A DODL 2BO	1665760000



RockStar® Housings IP65 / NEMA Type 4X

Metal housing

Size 1

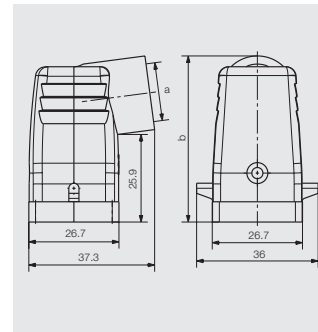
Hood



Hood, Cable Entry sideways



a	Version	Cover	b (mm)	Designation	Order No.
M20	with thread		49,2	HDC 04A TWLU 1M20G	1788810000
PG 11	with thread		49,2	HDC 04A TWLU 1PG11G	1652480000
PG 11	with thread		49,2	HDC 04A TWLU 1PG11S EXI	1900310000

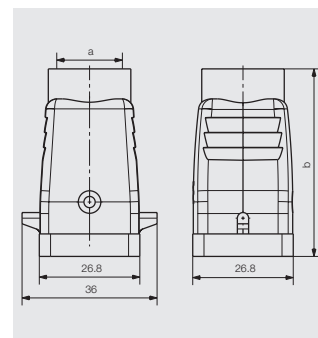


D

Hood, Cable Entry at top



a	Version	Cover	b (mm)	Designation	Order No.
M20	with thread		50	HDC 04A TOLU 1M20G	1788820000
PG 11	with thread		50	HDC 04A TOLU 1PG11G	1652470000
PG 11	with thread		50	HDC 04A TOLU 1PG11S EXI	1900280000



Metal housing

Size 1

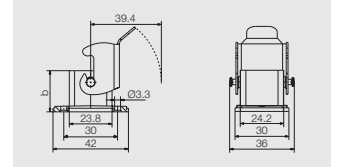
Base



Bulkhead housing



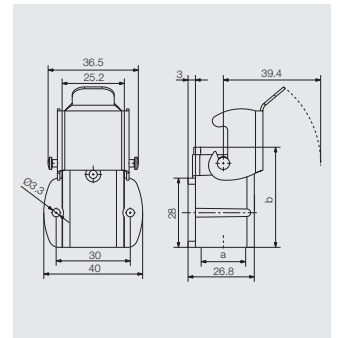
Version	Cover	b (mm)	Designation	Order No.
	without cover	23	HDC 04A ALU	1497600000
	without cover	26.7	HDC 04A AWLU	1899870000
	without cover	26.7	HDC 04A AWLU EXI	1899890000



Base housing



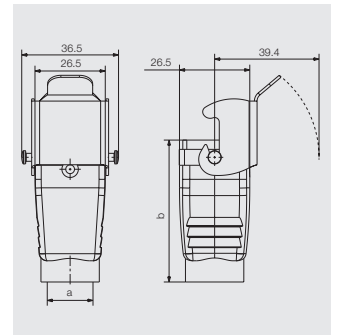
a	Version	Cover	b (mm)	Designation	Order No.
M20	with thread	without cover	41.5	HDC 04A SLU 1M20G	1788830000
PG 11	with thread	without cover	41.5	HDC 04A SLU 1PG11G	1652490000
PG 11	with thread	without cover	41.5	HDC 04A SLU 1PG11G EXI	1899800000



Coupling hood



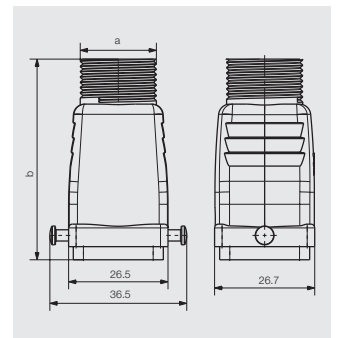
a	Version	Cover	b (mm)	Designation	Order No.
M20	with thread		53.5	HDC 04A KOLU 1M20G	1788840000
PG 11	with thread		53.5	HDC 04A KOLU 1PG11G	1652500000
PG 11	with thread		53.5	HDC 04A KLU 1PG11S EXI	1899920000



Screw mounting housing



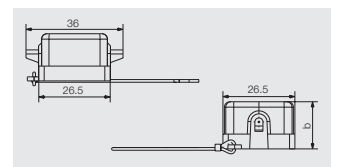
a	Version	Cover	b (mm)	Designation	Order No.
M20	with thread		54	HDC 04A ELU 1M20G	1900320000
PG 13.5	with thread		54	HDC 04A ELU 1PG13S	1900330000
PG 13.5	with thread		54	HDC 04A ELU 1PG13S EXI	1900350000



Cover



Version	Designation	Order No.
for female insert	HDC 04A DMDL 2BO	1665750000
for male insert	HDC 04A DODL 2BO	1665740000



RockStar® Housings IP65 / NEMA Type 4X

End locking, lower side

Size 2

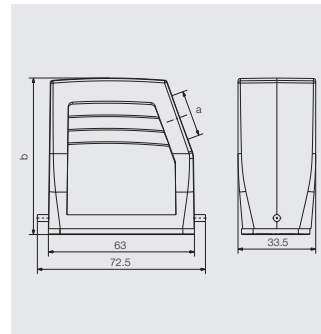
Hood



Hood, Cable Entry sideways



a	Version	Cover	b (mm)	Designation	Order No.
M20	with thread		68	HDC 15A TSLU 1M20G	1788860000
M25	with thread		68	HDC 15A TSLU 1M25G	1788850000
PG 16	with thread		54	HDC 10A TSLU 1PG16G	1663810000
PG 16	with thread		68	HDC 15A TSLU 1PG16G	1663850000
PG 21	with thread		68	HDC 15A TSLU 1PG21G	1663870000

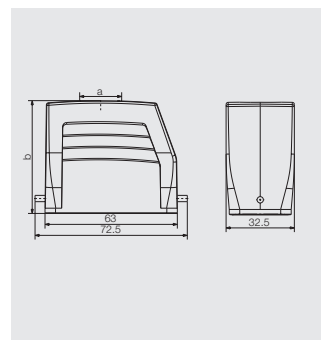


D

Hood, Cable Entry at top



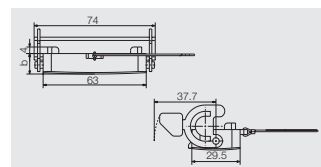
a	Version	Cover	b (mm)	Designation	Order No.
M20	with thread		54	HDC 10A TOLU 1M20G	1788620000
M25	with thread		54	HDC 10A TOLU 1M25G	1788610000
PG 16	with thread		54	HDC 10A TOLU 1PG16G	1663930000
PG 21	with thread		68	HDC 15A TOLU 1PG21G	1663990000



Cover



Version	Designation	Order No.
for hoods	HDC 10A DODL 1LB	1665890000



End locking, lower side

Size 2

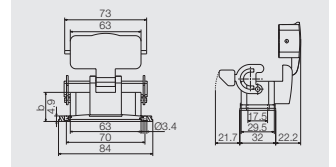


Base

Bulkhead housing



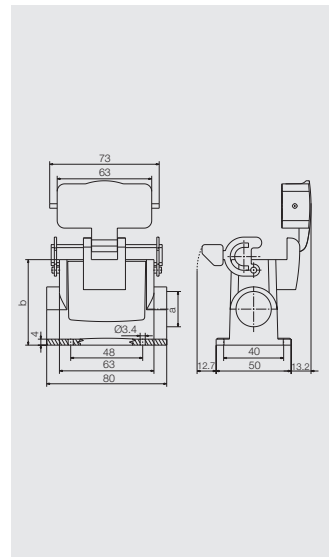
Version	Cover	b (mm)	Designation	Order No.
	with cover	37.5	HDC 10A ADLU	1664060000
	without cover	25	HDC 10A ALU	1664040000



Base housing



a	Version	Cover	b (mm)	Designation	Order No.
M20	with thread	without cover	57	HDC 10A SLU 1M20G	1901100000
M20	with thread	with cover	69.5	HDC 10A SDLU 1M20G	1901010000
M20	with thread	without cover	57	HDC 10A SLU 2M20G	1788640000
M20	with thread	with cover	69.5	HDC 10A SDLU 2M20G	1788660000
M25	with thread	without cover	57	HDC 10A SLU 1M25G	1901160000
M25	with thread	with cover	69.5	HDC 10A SDLU 1M25G	1901040000
M25	with thread	without cover	57	HDC 10A SLU 2M25G	1788630000
M25	with thread	with cover	69.5	HDC 10A SDLU 2M25G	1788650000
PG 16	with thread	without cover	57	HDC 10A SLU 1PG16G	1664170000
PG 16	with thread	with cover	69.5	HDC 10A SDLU 1PG16G	1664410000
PG 16	with thread	without cover	57	HDC 10A SLU 2PG16G	1664190000
PG 16	with thread	with cover	69.5	HDC 10A SDLU 2PG16G	1664420000
PG 21	with thread	without cover	57	HDC 10A SLU 1PG21G	1664210000

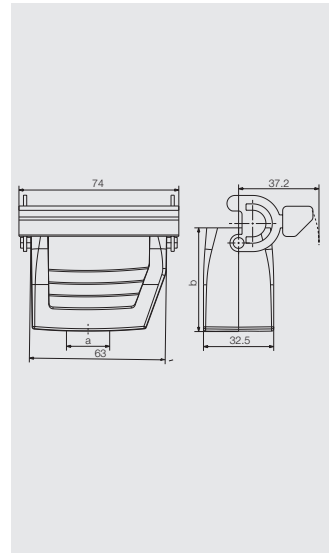


D

Coupling hood



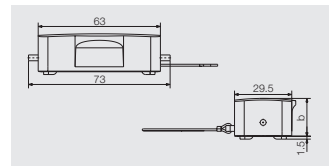
a	Version	Cover	b (mm)	Designation	Order No.
M25	with thread		48	HDC 10A KLU 1M25G	1788670000
PG 16	with thread		48	HDC 10A KLU 1/PG16G	1664560000
PG 21	with thread		62	HDC 15A KLU 1PG21G	1664630000



Cover



Version	Designation	Order No.
for bases	HDC 10A DMDL 2BO	1665880000



RockStar® Housings IP65 / NEMA Type 4X

End locking, lower side

Size 3

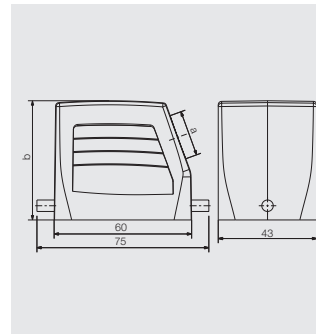
Hood



Hood, Cable Entry sideways



a	Version	Cover	b (mm)	Designation	Order No.
M20	with thread		52	HDC 06B TSLU 1M20G	1788100000
M20	with thread		52	HDC 06B TSLU 1M20G	1805930000
M25	with thread		52	HDC 06B TSLU 1M25G	1788090000
M25	with thread		72	HDC 16D TSLU 1M25G	1787480000
M32	with thread		72	HDC 16D TSLU 1M32G	1787470000
PG 13.5	with thread		52	HDC 06B TSLU 1PG13G	1670530000
PG 16	with thread		52	HDC 06B TSLU 1PG16G	1652520000
PG 21	with thread		72	HDC 16D TSLU 1PG21G	1652560000
PG 29	with thread		72	HDC 16D TSLU 1PG29G	1652580000

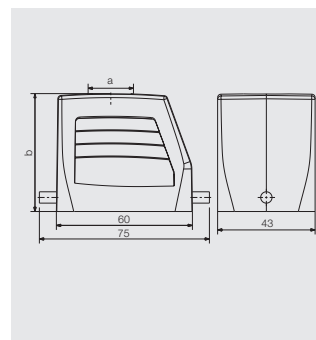


D

Hood, Cable Entry at top



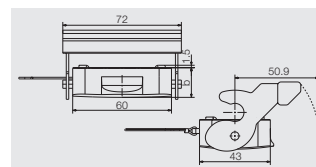
a	Version	Cover	b (mm)	Designation	Order No.
M20	with thread		52	HDC 06B TOLU 1M20G	1788120000
M25	with thread		52	HDC 06B TOLU 1M25G	1788110000
M25	with thread		72	HDC 16D TOLU 1M25G	1787500000
M32	with thread		72	HDC 16D TOLU 1M32G	1787490000
PG 13.5	with thread		52	HDC 06B TOLU 1PG13G	1670500000
PG 16	with thread		52	HDC 06B TOLU 1PG16G	1652640000
PG 21	with thread		72	HDC 16D TOLU 1PG21G	1652680000
PG 29	with thread		72	HDC 16D TOLU 1PG29G	1652700000



Cover



Version	Designation	Order No.
for hoods	HDC 06B DMDL 1LB	1665210000



End locking, lower side

Size 3

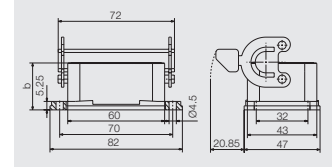
Base



Bulkhead housing



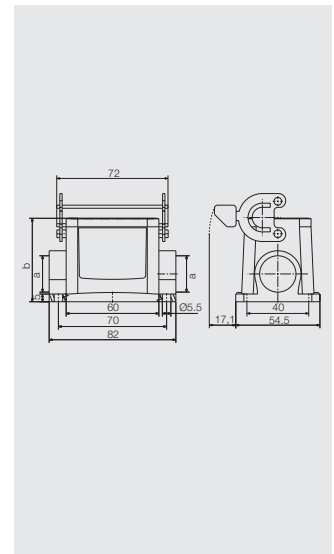
Version	Cover	b (mm)	Designation	Order No.
	without cover	29	HDC 06B ALU	1202100000
	with cover	47	HDC 06B ADLU	1202500000



Base housing



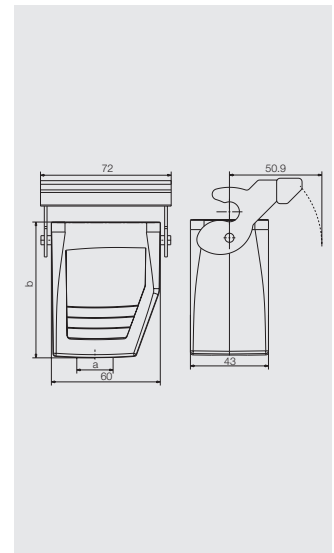
a	Version	Cover	b (mm)	Designation	Order No.
M20	with thread	without cover	54	HDC 06B SLU 1M20G	1900460000
M20	with thread	with cover	72	HDC 06B SDLU 1M20G	1900360000
M20	with thread	without cover	54	HDC 06B SLU 2M20G	1788140000
M20	with thread	with cover	72	HDC 06B SDLU 2M20G	1788170000
M25	with thread	without cover	54	HDC 06B SLU 1M25G	1900480000
M25	with thread	with cover	72	HDC 06B SDLU 1M25G	1900380000
M25	with thread	without cover	74	HDC 16D SLU 1M25G	1900880000
M25	with thread	with cover	92	HDC 16D SDLU 1M25G	1900820000
M25	with thread	without cover	54	HDC 06B SLU 2M25G	1788130000
M25	with thread	without cover	74	HDC 16D SLU 2M25G	1787520000
M25	with thread	with cover	92	HDC 16D SDLU 2M25G	1787540000
M25	with thread	with cover	72	HDC 06B SDLU 2M25G	1788160000
M32	with thread	without cover	74	HDC 16D SLU 1M32G	1900900000
M32	with thread	without cover	74	HDC 16D SLU 2M32G	1787510000
PG 16	with thread	without cover	54	HDC 06B SLU 1PG16G	1652750000
PG 16	with thread	with cover	72	HDC 06B SDLU 1PG16G	1652980000
PG 16	with thread	without cover	54	HDC 06B SLU 2PG16G	1652760000
PG 16	with thread	with cover	72	HDC 06B SDLU 2PG16G	1652990000
PG 21	with thread	without cover	74	HDC 16D SLU 2PG21G	1652840000



Coupling hood



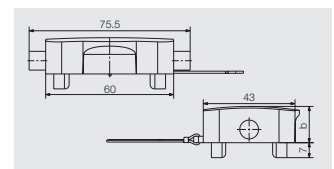
a	Version	Cover	b (mm)	Designation	Order No.
PG 16	with thread		55	HDC 06B KLU 1PG16G	1653200000
PG 21	with thread		75	HDC 16D KLU 1PG21G	1653230000



Cover



Version	Designation	Order No.
for bases	HDC 06B DODL 2BO	1665200000



RockStar® Housings IP65 / NEMA Type 4X

Side locking, lower side

Size 4

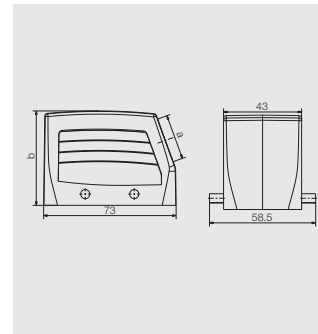
Hood



Hood, Cable Entry sideways



a	Version	Cover	b (mm)	Designation	Order No.
M20	with thread		52	HDC 10B TSBU 1M20G	1787560000
M25	with thread		52	HDC 10B TSBU 1M25G	1787550000
M25	with thread		72	HDC 24D TSBU 1M25G	1787240000
M32	with thread		72	HDC 24D TSBU 1M32G	1787230000
PG 16	with thread		52	HDC 10B TSBU 1PG16G	1654070000
PG 21	with thread		52	HDC 10B TSBU 1PG21G	1654090000
PG 21	with thread		72	HDC 24D TSBU 1PG21G	1654150000
PG 29	with thread		72	HDC 24D TSBU 1PG29G	1654170000

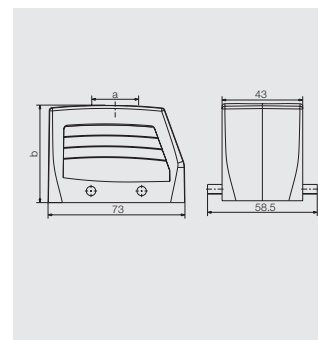


D

Hood, Cable Entry at top



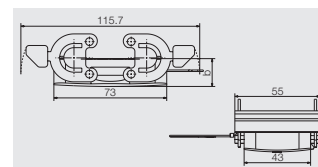
a	Version	Cover	b (mm)	Designation	Order No.
M20	with thread		52	HDC 10B TOBU 1M20G	1787600000
M25	with thread		52	HDC 10B TOBU 1M25G	1787590000
M25	with thread		72	HDC 24D TOBU 1M25G	1787300000
M32	with thread		72	HDC 24D TOBU 1M32G	1787290000
PG 16	with thread		52	HDC 10B TOBU 1PG16G	1654220000
PG 21	with thread		52	HDC 10B TOBU 1PG21G	1654240000
PG 21	with thread		52	HDC 10B TOBU 1PG21G	1816420000
PG 29	with thread		72	HDC 24D TOBU 1PG29G	1654320000



Cover



Version	Designation	Order No.
for hoods	HDC 10B DMDQ 2QB	1665240000



Side locking, lower side

Size 4

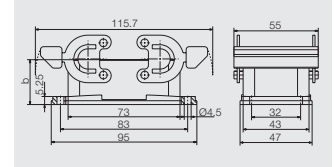
Base



Bulkhead housing



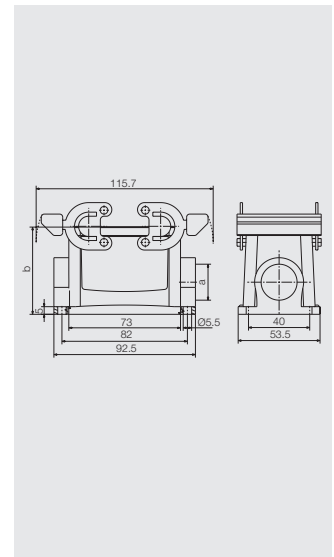
Version	Cover	b (mm)	Designation	Order No.
	without cover	29.3	HDC 10B ABU	1205000000



Base housing



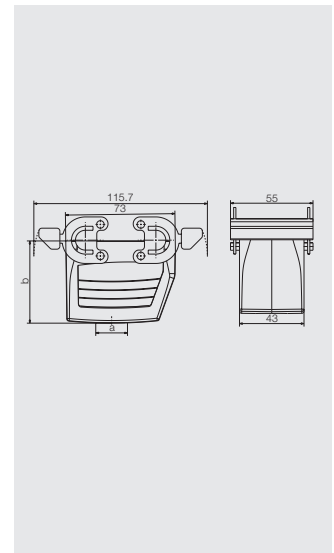
a	Version	Cover	b (mm)	Designation	Order No.
M20	with thread	without cover	57	HDC 10B SBU 1M20G	1901360000
M20	with thread	without cover	57	HDC 10B SBU 2M20G	1787640000
M25	with thread	without cover	57	HDC 10B SBU 1M25G	1901370000
M25	with thread	without cover	57	HDC 10B SBU 2M25G	1787630000
M25	with thread	without cover	74	HDC 24D SBU 1M25G	1903210000
M25	with thread	without cover	74	HDC 24D SBU 2M25G	1787350000
M32	with thread	without cover	74	HDC 24D SBU 1M32G	1903220000
M32	with thread	without cover	74	HDC 24D SBU 2M32G	1787360000
PG 16	with thread	without cover	57	HDC 10B SBU 1PG16G	1654370000
PG 16	with thread	without cover	57	HDC 10B SBU 2PG16G	1654380000
PG 21	with thread	without cover	74	HDC 24D SBU 2PG21G	1654450000
PG 29	with thread	without cover	74	HDC 24D SBU 1PG29G	1654470000



Coupling hood



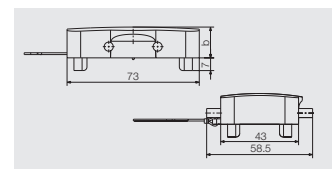
a	Version	Cover	b (mm)	Designation	Order No.
M20	with thread		55	HDC 10B KBU 1M20G	1787720000
PG 16	with thread		55	HDC 10B KBU 1PG16G	1654580000



Cover



Version	Designation	Order No.
for bases	HDC 10B DODQ 4B0	1665230000



RockStar® Housings IP65 / NEMA Type 4X

End locking, lower side

Size 4

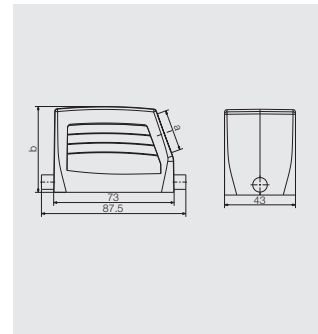
Hood



Hood, Cable Entry sideways



a	Version	Cover	b (mm)	Designation	Order No.
M25	with thread	52	HDC 10B TSLU 1M25G	1787580000	
M25	with thread	72	HDC 24D TSLU 1M25G	1787280000	
M32	with thread	72	HDC 24D TSLU 1M32G	1787270000	
PG 16	with thread	52	HDC 10B TSLU 1PG16G	1655210000	
PG 21	with thread	72	HDC 24D TSLU 1PG21G	1655250000	
PG 29	with thread	72	HDC 24D TSLU 1PG29G	1655270000	

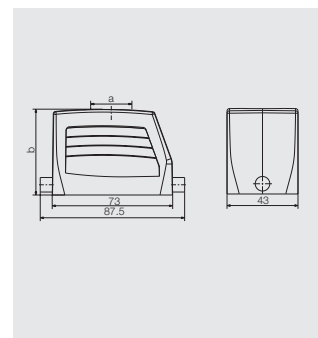


D

Hood, Cable Entry at top



a	Version	Cover	b (mm)	Designation	Order No.
M25	with thread	52	HDC 10B TOLU 1M25G	1787620000	
M25	with thread	72	HDC 24D TOLU 1M25G	1787340000	
M32	with thread	72	HDC 24D TOLU 1M32G	1787330000	
PG 16	with thread	52	HDC 10B TOLU 1PG16G	1655320000	
PG 21	with thread	72	HDC 24D TOLU 1PG21G	1655360000	
PG 29	with thread	72	HDC 24D TOLU 1PG29G	1655380000	



End locking, lower side

Size 4

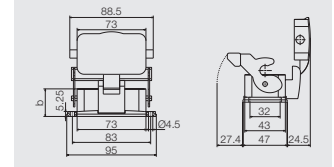
Base



Bulkhead housing



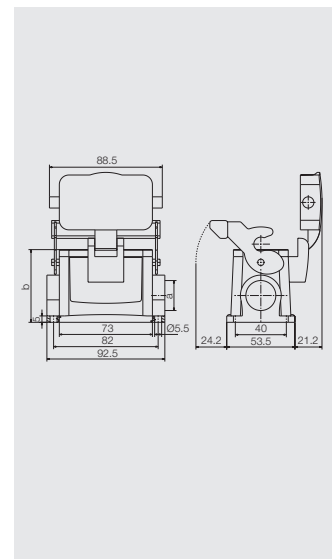
Version	Cover	b (mm)	Designation	Order No.
	with cover	47	HDC 10B ADLU	1206500000
	without cover	29.3	HDC 10B ALU	1206100000



Base housing



a	Version	Cover	b (mm)	Designation	Order No.
M20	with thread	without cover	57	HDC 10B SLU 1M20G	1901620000
M20	with thread	with cover	79.5	HDC 10B SDLU 1M20G	1901570000
M20	with thread	without cover	57	HDC 10B SLU 2M20G	1787660000
M20	with thread	with cover	79.5	HDC 10B SDLU 2M20G	1787700000
M25	with thread	without cover	57	HDC 10B SLU 1M25G	1901640000
M25	with thread	with cover	96.5	HDC 24D SDLU 1M25G	1903410000
M25	with thread	without cover	57	HDC 10B SLU 2M25G	1787650000
M25	with thread	with cover	96.5	HDC 24D SDLU 2M25G	1787420000
M32	with thread	without cover	74	HDC 24D SLU 1M32G	1903560000
M32	with thread	with cover	96.5	HDC 24D SDLU 1M32G	1903510000
M32	with thread	without cover	74	HDC 24D SLU 2M32G	1787370000
M32	with thread	with cover	96.5	HDC 24D SDLU 2M32G	1787410000
PG 16	with thread	without cover	57	HDC 10B SLU 2PG16G	1655470000
PG 16	with thread	with cover	79.5	HDC 10B SDLU 2PG16G	1655680000

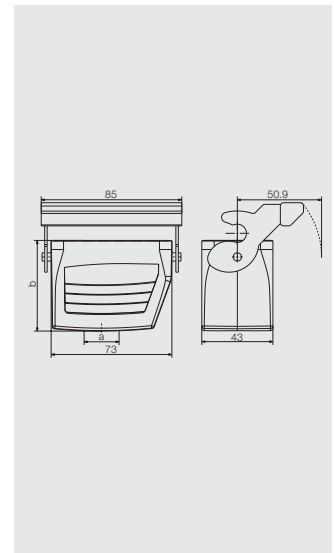


D

Coupling hood



a	Version	Cover	b (mm)	Designation	Order No.
M20	with thread		55	HDC 10B KLU 1M20G	1787740000
M25	with thread		55	HDC 10B KLU 1M25G	1787730000
M25	with thread		75	HDC 24D KLU 1M25G	1787460000
M32	with thread		75	HDC 24D KLU 1M32G	1787450000
PG 16	with thread		55	HDC 10B KLU 1PG16G	1655890000



Side locking, upper side

Size 4

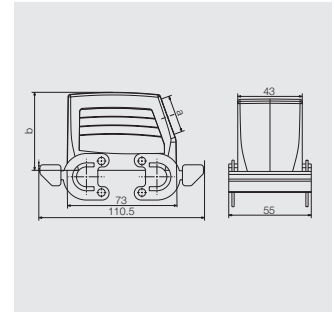
Hood



Hood, Cable Entry sideways



a	Version	Cover	b (mm)	Designation	Order No.
M25	with thread		52	HDC 10B TSBO 1M25G	1787570000
M25	with thread		72	HDC 24D TSBO 1M25G	1787260000
M32	with thread		72	HDC 24D TSBO 1M32G	1787250000
PG 16	with thread		52	HDC 10B TSBO 1PG16G	1654750000
PG 16	with thread		72	HDC 24D TSBO 1PG16G	1654810000
PG 21	with thread		72	HDC 24D TSBO 1PG21G	1654790000

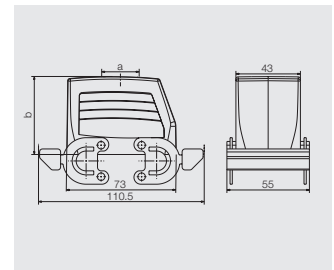


D

Hood, Cable Entry at top



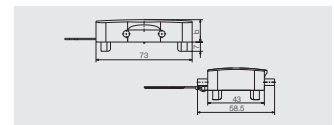
a	Version	Cover	b (mm)	Designation	Order No.
M25	with thread		52	HDC 10B TOBO 1M25G	1787610000
PG 16	with thread		52	HDC 10B TOBO 1PG16G	1654860000
PG 29	with thread		72	HDC 24D TOBO 1PG29G	1654920000



Cover



Version	Designation	Order No.
for hoods	HDC 10B DMDQ 4BO	1665250000

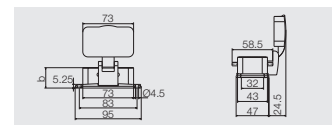


Base

Bulkhead housing



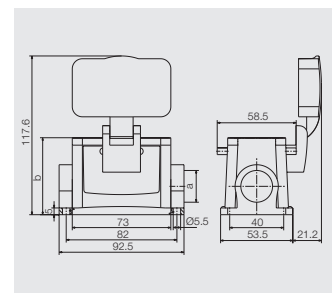
Version	Cover	b (mm)	Designation	Order No.
	with cover	51.6	HDC 10B ADBO	1205600000



Base housing



a	Version	Cover	b (mm)	Designation	Order No.
M20	with thread	with cover	79.5	HDC 10B SDBO 1M20G	1901490000
M20	with thread	with cover	79.5	HDC 10B SDBO 2M20G	1787680000
M25	with thread	with cover	79.5	HDC 10B SDBO 1M25G	1901510000
M25	with thread	with cover	96.5	HDC 24D SDBO 1M25G	1903370000
M25	with thread	with cover	79.5	HDC 10B SDBO 2M25G	1787670000
M25	with thread	with cover	96.5	HDC 24D SDBO 2M25G	1787400000
PG 16	with thread	with cover	79.5	HDC 10B SDBO 2PG16G	1655000000



Size 4

End locking clamp on housing bottom

The plug and play solution for your motor. With short assembly times and free choice of connection technology, this is Weidmüller's low-cost solution for heavy-duty connectors.

The HDC HB 10 AWVL angled housing replaces the motor terminal box. The housing can be mounted in four different ways (offset by 90°) thanks to fixing dimensions of 68 x 68 mm.

Suitable for use with standard inserts of the HE-10 series (screw, tension clamp or push-in technology) or inserts from the modular ConCept system.

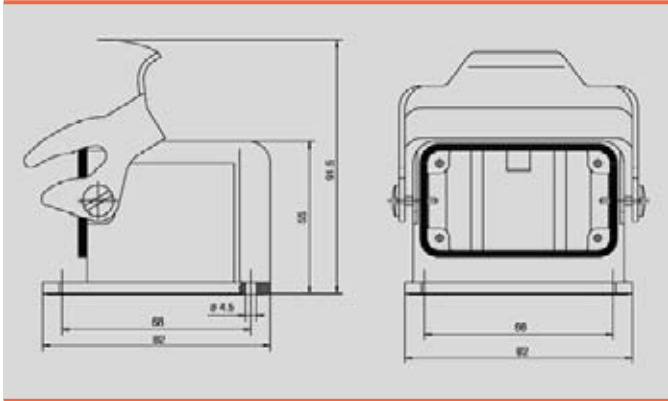
HDC HB 10 AWVL



Ordering data

Type	Qty	Order No.
HDC HB 10 AWVL	1	1790040000

Dimensions



RockStar® Housings IP65 / NEMA Type 4X

End locking, lower side

Size 5

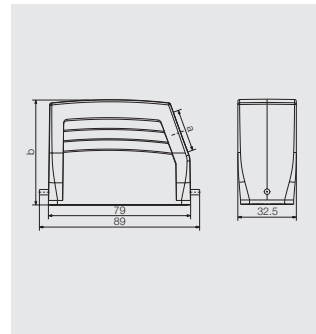
Hood



Hood, Cable Entry sideways



a	Version	Cover	b (mm)	Designation	Order No.
M20	with thread		72	HDC 25A TSLU 1M20G	1788680000
M25	with thread		58	HDC 16A TSLU 1M25G	1788740000
M25	with thread		72	HDC 25A TSLU 1M25G	1788690000
PG 16	with thread		58	HDC 16A TSLU 1PG16G	1664690000
PG 16	with thread		72	HDC 25A TSLU 1PG16G	1664730000
PG 21	with thread		72	HDC 25A TSLU 1PG21G	1664750000

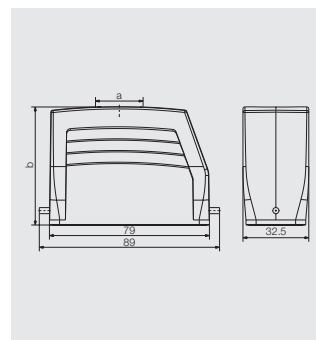


D

Hood, Cable Entry at top



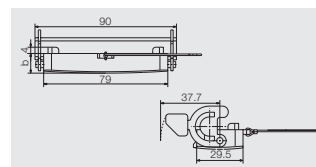
a	Version	Cover	b (mm)	Designation	Order No.
M20	with thread		72	HDC 25A TOLU 1M20G	1788710000
M25	with thread		58	HDC 16A TOLU 1M25G	1788750000
M25	with thread		72	HDC 25A TOLU 1M25G	1788700000
PG 16	with thread		58	HDC 16A TOLU 1PG16G	1664810000
PG 21	with thread		72	HDC 25A TOLU 1PG21G	1664870000



Cover



Version	Designation	Order No.
for hoods	HDC 16A DODL 1LB	1665900000



End locking, lower side

Size 5

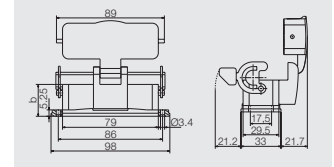


Base

Bulkhead housing



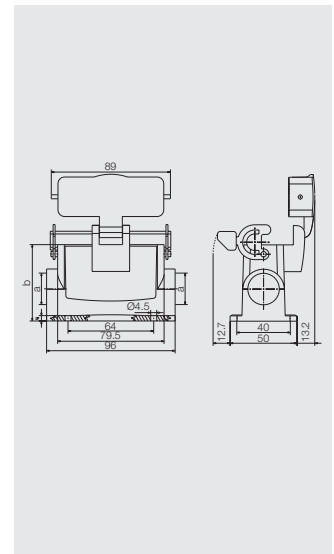
Version	Cover	b (mm)	Designation	Order No.
	with cover	44.5	HDC 16A ADLU	1664940000
	without cover	25	HDC 16A ALU	1664920000



Base housing



a	Version	Cover	b (mm)	Designation	Order No.
M20	with thread	without cover	57	HDC 16A SLU 2M20G	1788770000
M20	with thread	with cover	76.5	HDC 16A SDLU 2M20G	1788790000
M25	with thread	without cover	57	HDC 16A SLU 2M25G	1788760000
M25	with thread	with cover	76.5	HDC 16A SDLU 2M25G	1788780000
PG 16	with thread	without cover	57	HDC 16A SLU 2PG16G	1665070000
PG 16	with thread	with cover	76.5	HDC 16A SDLU 2PG16	1665300000
PG 21	with thread	without cover	57	HDC 16A SLU 1PG21G	1665090000

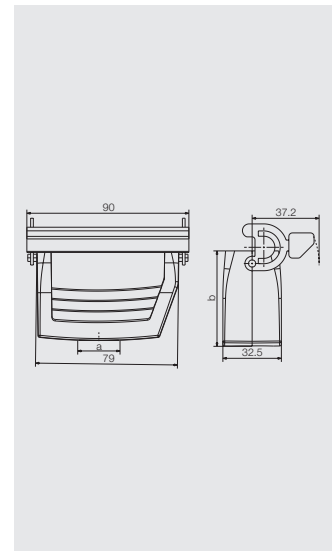


D

Coupling hood



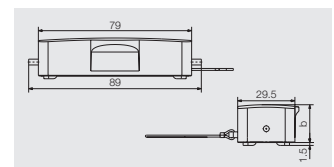
a	Version	Cover	b (mm)	Designation	Order No.
M25	with thread		53	HDC 16A KLU 1M25G	1788800000
PG 16	with thread		53	HDC 16A KLU 1PG16G	1665450000



Cover



Version	Designation	Order No.
for bases	HDC 16A DMDL 2BO	1665910000



RockStar® Housings IP65 / NEMA Type 4X

Side locking, lower side

Size 6

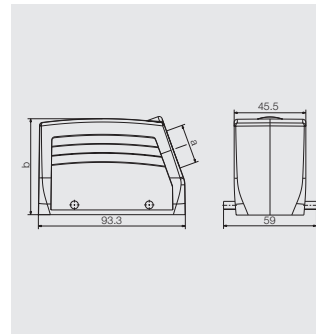
Hood



Hood, Cable Entry sideways



a	Version	Cover	b (mm)	Designation	Order No.
M25	with thread		61	HDC 16B TSBU 1M25G	1788180000
M25	with thread		76	HDC 40D TSBU 1M25G	1787010000
M32	with thread		76	HDC 40D TSBU 1M32G	1787000000
M40	with thread		60	HDC 16B TSBU 1M40G	1809620000
PG 21	with thread		61	HDC 16B TSBU 1PG21G	1656480000
PG 21	with thread		76	HDC 40D TSBU 1PG21G	1656520000
PG 29	with thread		76	HDC 40D TSBU 1PG29G	1656540000

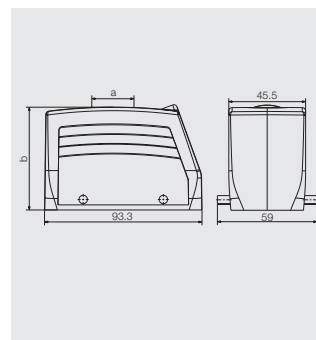


D

Hood, Cable Entry at top



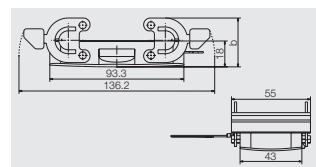
a	Version	Cover	b (mm)	Designation	Order No.
M25	with thread		61	HDC 16B TOBU 1M25G	1788210000
M25	with thread		76	HDC 40D TOBU 1M25G	1787070000
M32	with thread		76	HDC 40D TOBU 1M32G	1787060000
PG 21	with thread		61	HDC 16B TOBU 1PG21G	1656590000
PG 21	with thread		76	HDC 40D TOBU 1PG21G	1656630000
PG 29	with thread		76	HDC 40D TOBU 1PG29G	1656650000



Cover



Version	Designation	Order No.
for hoods	HDC 16B DMDQ 2QB	1665270000



Side locking, lower side

Size 6

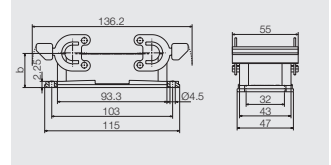
Base



Bulkhead housing



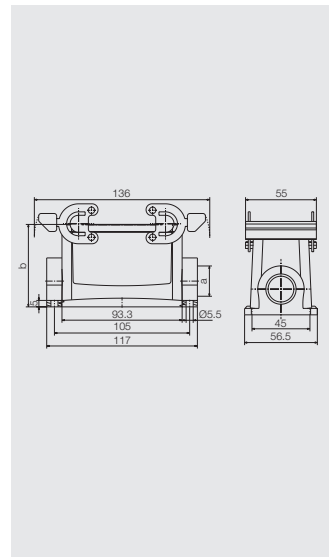
Version	Cover	b (mm)	Designation	Order No.
	without cover 29		HDC 16B ABU	1208600000



Base housing



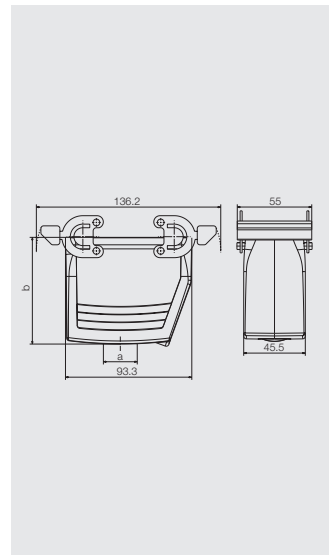
a	Version	Cover	b (mm)	Designation	Order No.
M25	with thread	without cover 64		HDC 16B SBU 1M25G	1899980000
M25	with thread	without cover 84		HDC 40D SBU 1M25G	1902970000
M25	with thread	without cover 64		HDC 16B SBU 2M25G	1788240000
M25	with thread	without cover 84		HDC 40D SBU 2M25G	1787120000
M32	with thread	without cover 84		HDC 40D SBU 1M32G	1902990000
M32	with thread	without cover 84		HDC 40D SBU 2M32G	1787110000
PG 21	with thread	without cover 64		HDC 16B SBU 1PG21G	1656720000
PG 21	with thread	without cover 64		HDC 16B SBU 2PG21G	1656730000
PG 21	with thread	without cover 84		HDC 40D SBU 2PG21G	1656810000
PG 29	with thread	without cover 84		HDC 40D SBU 1PG29G	1656830000
PG 29	with thread	without cover 84		HDC 40D SBU 2PG29G	1656840000



Coupling hood



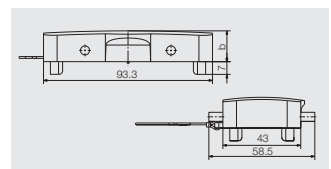
a	Version	Cover	b (mm)	Designation	Order No.
M25	with thread		79	HDC 40D KBU 1M25G	1787200000
M32	with thread		79	HDC 40D KBU 1M32G	1787190000
PG 21	with thread		64	HDC 16B KBU 1PG21G	1657270000
PG 21	with thread		79	HDC 40D KBU 1PG21G	1657310000



Cover



Version	Designation	Order No.
for bases	HDC 16B DODQ 4B0	1665260000



RockStar® Housings IP65 / NEMA Type 4X

End locking, lower side

Size 6

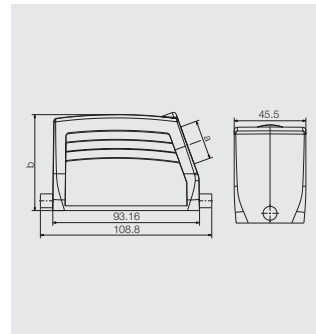
Hood



Hood, Cable Entry sideways



a	Version	Cover	b (mm)	Designation	Order No.
M25	with thread	61	61	HDC 16B TSLU 1M25G	1788200000
M25	with thread	76	76	HDC 40D TSLU 1M25G	1787050000
M32	with thread	61	61	HDC 16B TSLU 1M32G	1804640000
M32	with thread	76	76	HDC 40D TSLU 1M32G	1787040000
M40	with thread	76	76	HDC 40D TSLU 1M40G	1804650000
PG 21	with thread	61	61	HDC 16B TSLU 1PG21G	1657850000
PG 21	with thread	76	76	HDC 40D TSLU 1PG21G	1657890000
PG 29	with thread	76	76	HDC 40D TSLU 1PG29G	1657910000

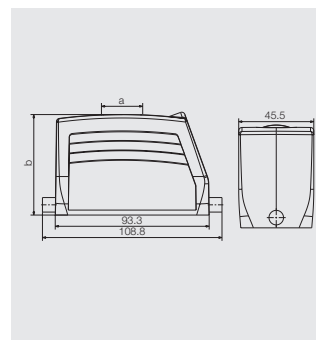


D

Hood, Cable Entry at top



a	Version	Cover	b (mm)	Designation	Order No.
M25	with thread	61	61	HDC 16B TOLU 1M25G	1788230000
M32	with thread	61	61	HDC 16B TOLU 1M32G	1804630000
M32	with thread	76	76	HDC 40D TOLU 1M32G	1787100000
PG 21	with thread	61	61	HDC 16B TOLU 1PG21G	1657960000
PG 29	with thread	76	76	HDC 40D TOLU 1PG29G	1658020000



End locking, lower side

Size 6

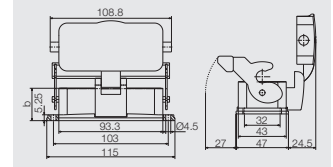
Base



Bulkhead housing



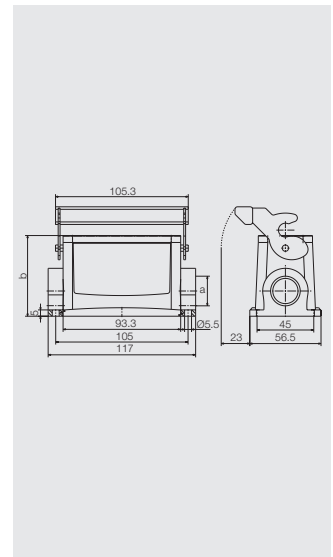
Version	Cover	b (mm)	Designation	Order No.
	with cover	47	HDC 16B ADLU	1210100000
	without cover	29	HDC 16B ALU	1209700000



Base housing



a	Version	Cover	b (mm)	Designation	Order No.
M25	with thread	without cover	64	HDC 16B SLU 1M25G	1900170000
M25	with thread	with cover	102	HDC 40D SDLU 1M25G	1903070000
M25	with thread	without cover	64	HDC 16B SLU 2M25G	1788250000
M25	with thread	with cover	82	HDC 16B SDLU 2M25G	1788270000
M25	with thread	with cover	102	HDC 40D SDLU 2M25G	1787180000
M32	with thread	without cover	84	HDC 40D SLU 1M32G	1903110000
M32	with thread	with cover	102	HDC 40D SDLU 1M32G	1903080000
M32	with thread	without cover	84	HDC 40D SLU 2M32G	1804660000
M32	with thread	with cover	102	HDC 40D SDLU 2M32G	1787170000
PG 21	with thread	without cover	64	HDC 16B SLU 1PG21G	1658110000
PG 21	with thread	with cover	82	HDC 16B SDLU 1PG21G	1658320000
PG 21	with thread	without cover	64	HDC 16B SLU 2PG21G	1658120000
PG 21	with thread	with cover	82	HDC 16B SDLU 2PG21G	1658330000
PG 29	with thread	with cover	102	HDC 40D SDLU 1PG29G	1658410000

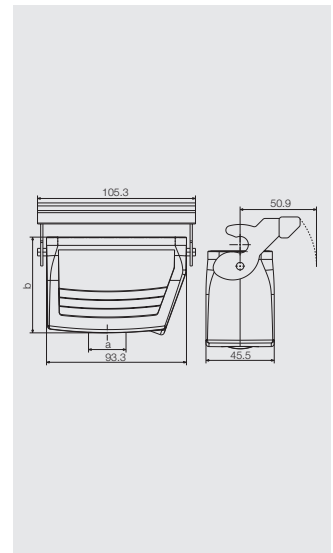


D

Coupling hood



a	Version	Cover	b (mm)	Designation	Order No.
M25	with thread		64	HDC 16B KLU 1M25G	1788290000
M25	with thread		79	HDC 40D KLU 1M25G	1787220000



RockStar® Housings IP65 / NEMA Type 4X

Side locking, upper side

Size 6

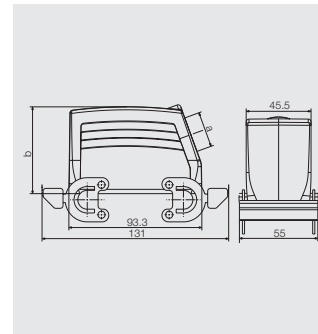
Hood



Hood, Cable Entry sideways



a	Version	Cover	b (mm)	Designation	Order No.
M25	with thread		61	HDC 16B TSBO 1M25G	1788190000
M25	with thread		76	HDC 40D TSBO 1M25G	1787030000
M32	with thread		76	HDC 40D TSBO 1M32G	1787020000
PG 21	with thread		61	HDC 16B TSBO 1PG21G	1657380000
PG 21	with thread		76	HDC 40D TSBO 1PG21G	1657420000

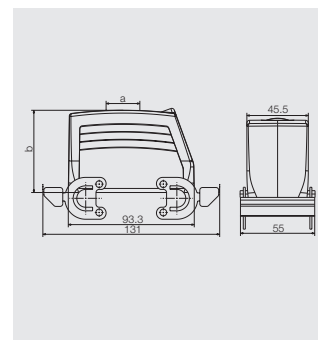


D

Hood, Cable Entry at top



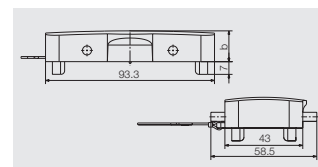
a	Version	Cover	b (mm)	Designation	Order No.
M25	with thread		61	HDC 16B TOBO 1M25G	1788220000
PG 21	with thread		61	HDC 16B TOBO 1PG21G	1657490000
PG 29	with thread		76	HDC 40D TOBO 1PG29G	1657550000



Cover



Version	Designation	Order No.
for hoods	HDC 16B DMDQ 4BO	1665620000



Side locking, upper side

Size 6

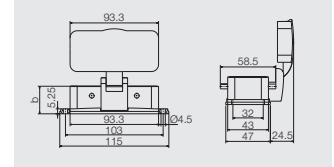
Base



Bulkhead housing



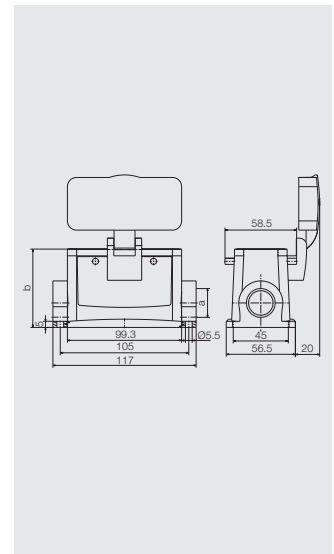
Version	Cover	b (mm)	Designation	Order No.
	with cover	47	HDC 16B ADBO	1209200000



Base housing



a	Version	Cover	b (mm)	Designation	Order No.
M25	with thread	with cover	82	HDC 16B SDBO 1M25G	1900080000
M25	with thread	with cover	82	HDC 16B SDBO 2M25G	1788260000
PG 21	with thread	with cover	82	HDC 16B SDBO 2PG21G	1657640000



D

RockStar® Housings IP65 / NEMA Type 4X

Side locking, lower side

Size 7

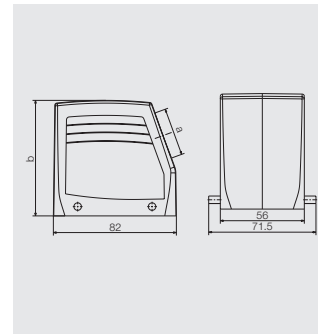
Hood



Hood, Cable Entry sideways



a	Version	Cover	b (mm)	Designation	Order No.
M25	with thread		75	HDC 32A TSBU 1M25G	1787960000
M32	with thread		75	HDC 32A TSBU 1M32G	1787950000
PG 21	with thread		75	HDC 32A TSBU 1PG21G	1665670000
PG 29	with thread		75	HDC 32A TSBU 1PG29G	1665690000

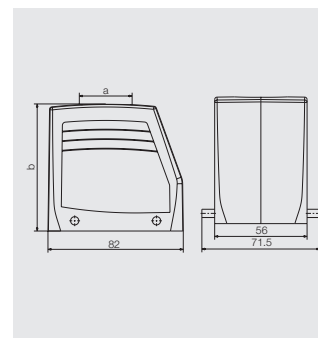


D

Hood, Cable Entry at top



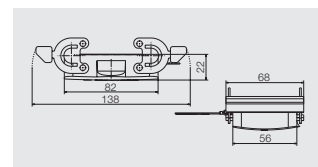
a	Version	Cover	b (mm)	Designation	Order No.
M32	with thread		75	HDC 32A TOBU 1M32G	1787990000
PG 21	with thread		75	HDC 32A TOBU 1PG21G	1665790000
PG 29	with thread		75	HDC 32A TOBU 1PG29G	1665810000



Cover



Version	Designation	Order No.
for hoods	HDC 32A DMDQ 2QB	1665930000



Side locking, lower side

Size 7

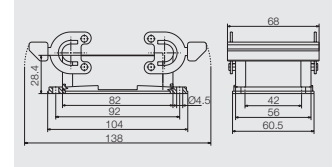


Base

Bulkhead housing



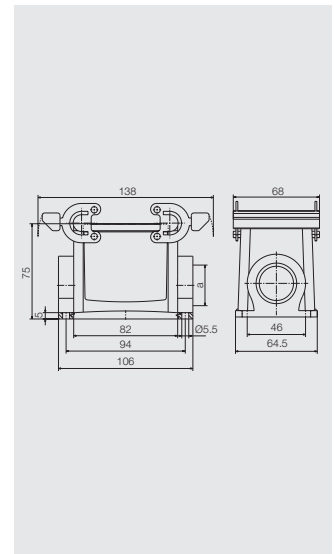
Version	Cover	b (mm)	Designation	Order No.
	without cover 25		HDC 32A ABU	1665860000



Base housing



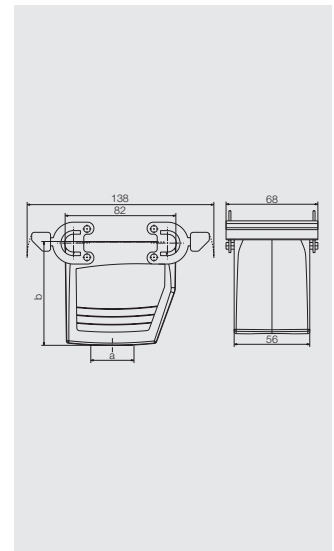
a	Version	Cover	b (mm)	Designation	Order No.
M25	with thread	without cover 75		HDC 32A SBU 1M25G	1903870000
M25	with thread	without cover 75		HDC 32A SBU 2M25G	1788040000
PG 21	with thread	without cover 75		HDC 32A SBU 2PG21G	1665980000
PG 29	with thread	without cover 75		HDC 32A SBU 1PG29G	1666010000



Coupling hood



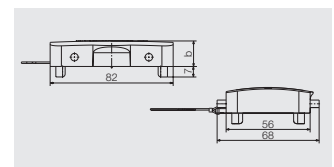
a	Version	Cover	b (mm)	Designation	Order No.
M25	with thread		76.5	HDC 32A KBU 1M25G	1788080000
M32	with thread		76.5	HDC 32A KBU 1M32G	1788070000



Cover



Version	Designation	Order No.
for bases	HDC 32A DODQ 4BO	1665920000



RockStar® Housings IP65 / NEMA Type 4X

Side locking, upper side

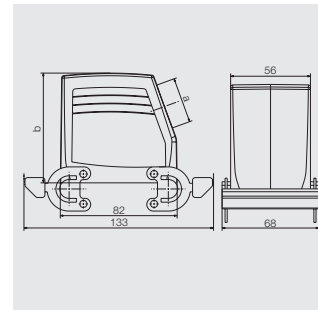
Size 7

Hood



Hood, Cable Entry sideways

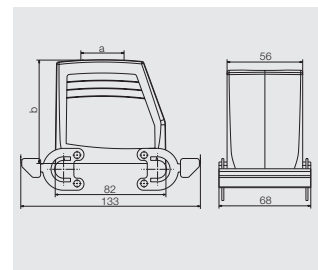
a	Version	Cover	b (mm)	Designation	Order No.
M25	with thread		75	HDC 32A TSBO 1M25G	1787980000
M32	with thread		75	HDC 32A TSBO 1M32G	1787970000
PG 29	with thread		75	HDC 32A TSBO 1PG29G	1666270000



D

Hood, Cable Entry at top

a	Version	Cover	b (mm)	Designation	Order No.
M32	with thread		77	HDC 32A TOBO 1M32G	1788010000

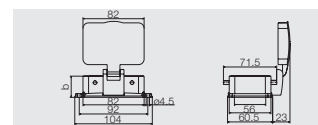


Base

Bulkhead housing



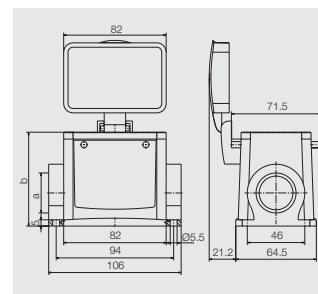
Version	Cover	b (mm)	Designation	Order No.
	with cover	28.4	HDC 32A ADBO	1666440000



Base housing



a	Version	Cover	b (mm)	Designation	Order No.
M25	with thread	with cover	97	HDC 32A SDBO 1M25G	1903900000
M25	with thread	with cover	97	HDC 32A SDBO 2M25G	1788060000
M32	with thread	with cover	97	HDC 32A SDBO 1M32G	1903910000
M32	with thread	with cover	97	HDC 32A SDBO 2M32G	1788050000
PG 21	with thread	with cover	97	HDC 32A SDBO 1PG21G	1666550000
PG 29	with thread	with cover	97	HDC 32A SDBO 1PG29G	1666590000



RockStar® Housings IP65 / NEMA Type 4X

Side locking, lower side

Size 8

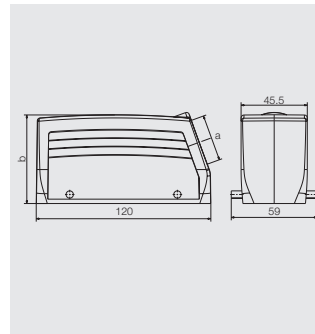
Hood



Hood, Cable Entry sideways



a	Version	Cover	b (mm)	Designation	Order No.
M25	with thread		61	HDC 24B TSBU 1M25G	1787760000
M25	with thread		76	HDC 64D TSBU 1M25G	1786780000
M32	with thread		61	HDC 24B TSBU 1M32G	1787750000
M32	with thread		76	HDC 64D TSBU 1M32G	1786770000
M40	with thread		61	HDC 24B TSBU 1M40G	1902480000
PG 21	with thread		61	HDC 24B TSBU 1PG21G	1661230000
PG 21	with thread		76	HDC 64D TSBU 1PG21G	1661300000
PG 29	with thread		61	HDC 24B TSBU 1PG29G	1661240000
PG 29	with thread		76	HDC 64D TSBU 1PG29G	1661320000

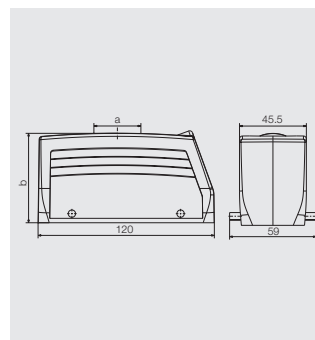


D

Hood, Cable Entry at top



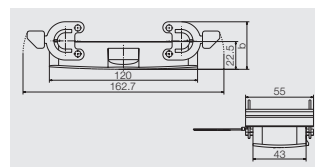
a	Version	Cover	b (mm)	Designation	Order No.
M25	with thread		61	HDC 24B TOBU 1M25G	1787820000
M32	with thread		61	HDC 24B TOBU 1M32G	1787810000
M32	with thread		76	HDC 64D TOBU 1M32G	1786830000
M40	with thread		61	HDC 24B TOBU 1M40G	1902980000
PG 21	with thread		61	HDC 24B TOBU 1PG21G	1661370000
PG 21	with thread		76	HDC 64D TOBU 1PG21G	1661440000
PG 29	with thread		61	HDC 24B TOBU 1PG29G	1661380000
PG 29	with thread		76	HDC 64D TOBU 1PG29G	1661460000



Cover



Version	Designation	Order No.
for hoods	HDC 24B DMDQ 2QB	1665640000



Side locking, lower side

Size 8

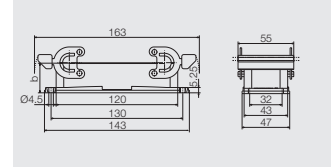


Base

Bulkhead housing



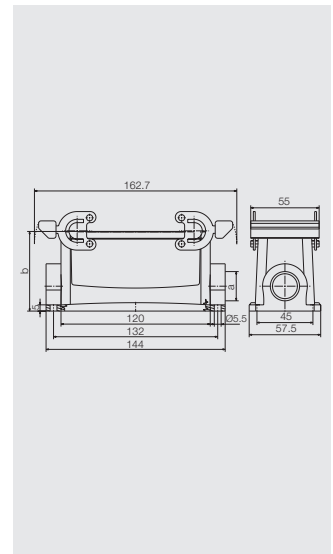
Version	Cover	b (mm)	Designation	Order No.
	without cover	29.3	HDC 24B ABU	1212400000



Base housing



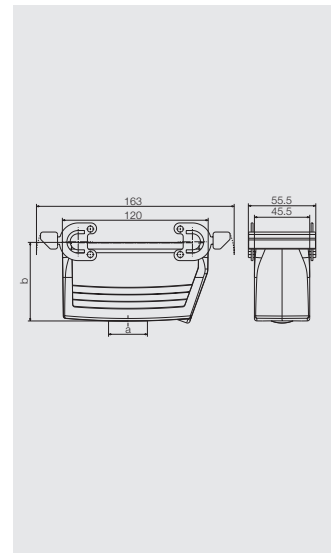
a	Version	Cover	b (mm)	Designation	Order No.
M25	with thread	without cover	64	HDC 24B SBU 1M25G	1901150000
M25	with thread	without cover	84	HDC 64D SBU 1M25G	1904340000
M25	with thread	without cover	64	HDC 24B SBU 2M25G	1787870000
M25	with thread	without cover	84	HDC 64D SBU 2M25G	1786890000
M32	with thread	without cover	84	HDC 64D SBU 1M32G	1904350000
M32	with thread	without cover	84	HDC 64D SBU 2M32G	1786880000
PG 21	with thread	without cover	64	HDC 24B SBU 1PG21G	1661510000
PG 21	with thread	without cover	64	HDC 24B SBU 2PG21G	1661520000
PG 21	with thread	without cover	84	HDC 64D SBU 2PG21G	1661590000
PG 29	with thread	without cover	84	HDC 64D SBU 2PG29G	1661630000



Coupling hood



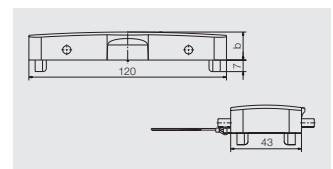
a	Version	Cover	b (mm)	Designation	Order No.
M25	with thread		65	HDC 24B KBU 1M25G	1787920000
M32	with thread		79	HDC 64D KBU 1M32G	1786960000
PG 21	with thread		65	HDC 24B KBU 1PG21G	1661720000
PG 29	with thread		65	HDC 24B KBU 1PG29G	1661730000
PG 29	with thread		79	HDC 64D KBU 1PG29G	1661810000



Cover



Version	Designation	Order No.
for bases	HDC 24B DODQ 4B0	1665630000



RockStar® Housings IP65 / NEMA Type 4X

End locking, lower side

Size 8

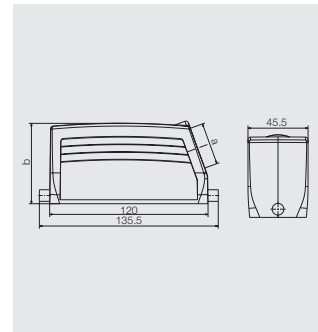
Hood



Hood, Cable Entry sideways



a	Version	Cover	b (mm)	Designation	Order No.
M25	with thread	61	HDC 24B TSLU 1M25G	1787800000	
M32	with thread	61	HDC 24B TSLU 1M32G	1787790000	
M32	with thread	76	HDC 64D TSLU 1M32G	1786810000	
M40	with thread	76	HDC 64D TSLU 1M40G	1804610000	
PG 21	with thread	61	HDC 24B TSLU 1PG21G	1662390000	
PG 21	with thread	76	HDC 64D TSLU 1PG21G	1662470000	
PG 29	with thread	61	HDC 24B TSLU 1PG29G	1662410000	
PG 29	with thread	76	HDC 64D TSLU 1PG29G	1662490000	

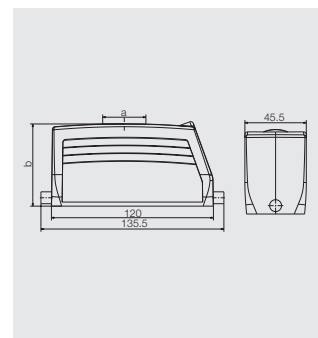


D

Hood, Cable Entry at top



a	Version	Cover	b (mm)	Designation	Order No.
M25	with thread	61	HDC 24B TOLU 1M25G	1787860000	
M25	with thread	76	HDC 64D TOLU 1M25G	1786870000	
M32	with thread	61	HDC 24B TOLU 1M32G	1787850000	
M32	with thread	76	HDC 64D TOLU 1M32G	1786860000	
PG 21	with thread	61	HDC 24B TOLU 1PG21G	1662540000	
PG 21	with thread	76	HDC 64D TOLU 1PG21G	1662610000	
PG 29	with thread	61	HDC 24B TOLU 1PG29G	1662550000	
PG 29	with thread	76	HDC 64D TOLU 1PG29G	1662630000	



End locking, lower side

Size 8

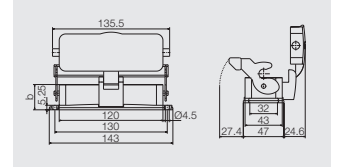
Base



Bulkhead housing



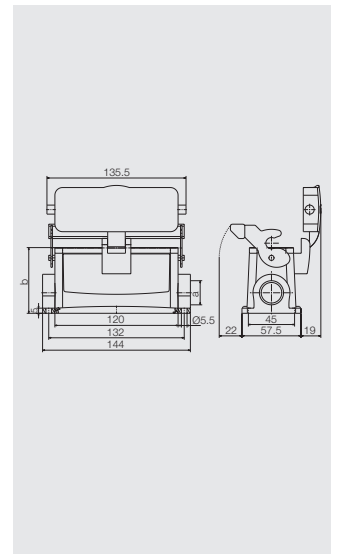
Version	Cover	b (mm)	Designation	Order No.
	with cover	47	HDC 24B ADLU	1214300000
	without cover	29.3	HDC 24B ALU	1213900000



Base housing



a	Version	Cover	b (mm)	Designation	Order No.
M25	with thread	without cover	64	HDC 24B SLU 1M25G	1901560000
M25	with thread	with cover	86	HDC 24B SDLU 1M25G	1901480000
M25	with thread	without cover	84	HDC 64D SLU 1M25G	1904480000
M25	with thread	with cover	106	HDC 64D SDLU 1M25G	1904430000
M25	with thread	without cover	64	HDC 24B SLU 2M25G	1787880000
M25	with thread	with cover	86	HDC 24B SDLU 2M25G	1787900000
M25	with thread	without cover	84	HDC 64D SLU 2M25G	1786910000
M25	with thread	with cover	106	HDC 64D SDLU 2M25G	1786950000
M32	with thread	without cover	84	HDC 64D SLU 1M32G	1904490000
M32	with thread	with cover	106	HDC 64D SDLU 1M32G	1904440000
M32	with thread	without cover	84	HDC 64D SLU 2M32G	1786900000
M32	with thread	with cover	106	HDC 64D SDLU 2M32G	1786940000
PG 21	with thread	without cover	64	HDC 24B SLU 2PG21G	1662720000
PG 21	with thread	with cover	86	HDC 24B SDLU 2PG21G	1214500000
PG 29	with thread	with cover	106	HDC 64D SDLU 2PG29G	1663040000



D

RockStar® Housings IP65 / NEMA Type 4X

Side locking, upper side

Size 8

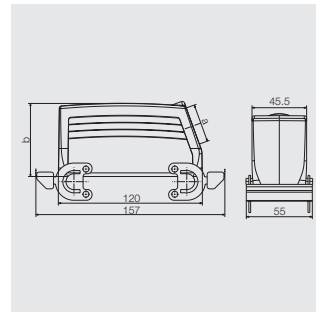
Hood



Hood, Cable Entry sideways



a	Version	Cover	b (mm)	Designation	Order No.
M25	with thread		61	HDC 24B TSBO 1M25G	1787780000
M25	with thread		76	HDC 64D TSBO 1M25G	1786800000
M32	with thread		61	HDC 24B TSBO 1M32G	1787770000
M32	with thread		76	HDC 64D TSBO 1M32G	1786790000
PG 21	with thread		61	HDC 24B TSBO 1PG21G	1661860000
PG 21	with thread		76	HDC 64D TSBO 1PG21G	1661940000
PG 29	with thread		61	HDC 24B TSBO 1PG29G	1661880000
PG 29	with thread		76	HDC 64D TSBO 1PG29G	1661960000

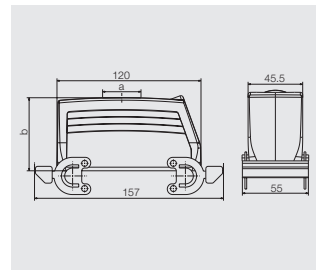


D

Hood, Cable Entry at top



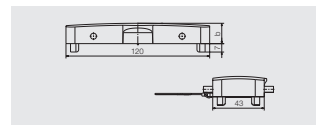
a	Version	Cover	b (mm)	Designation	Order No.
M32	with thread		61	HDC 24B TOBO 1M32G	1787830000
PG 21	with thread		76	HDC 64D TOBO 1PG21G	1662080000
PG 29	with thread		61	HDC 24B TOBO 1PG29G	1662020000
PG 29	with thread		76	HDC 64D TOBO 1PG29G	1662100000



Cover



Version	Designation	Order No.
for hoods	HDC 24B DMDQ 4BO	1665650000

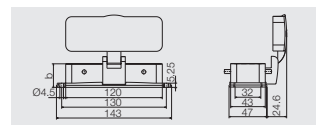


Base

Bulkhead housing



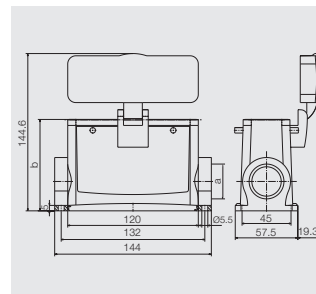
Version	Cover	b (mm)	Designation	Order No.
	with cover	51.3	HDC 24B ADBO	1213300000



Base housing



a	Version	Cover	b (mm)	Designation	Order No.
M32	with thread	with cover	106	HDC 64D SDBO 1M32G	1904400000
M32	with thread	with cover	106	HDC 64D SDBO 2M32G	1786920000
PG 21	with thread	with cover	86	HDC 24B SDBO 2PG21G	1662180000
PG 29	with thread	with cover	106	HDC 64D SDBO 1PG29G	1662280000



RockStar® Housings IP65 / NEMA Type 4X

End locking, lower side

Size 9

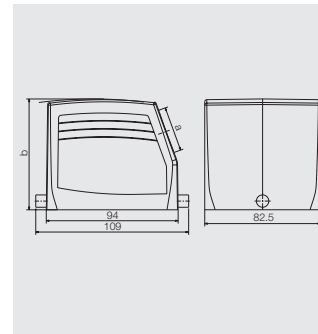
Hood



Hood, Cable Entry sideways



a	Version	Cover	b (mm)	Designation	Order No.
M32	with thread		79	HDC 48A TSLU 1M32G	1788550000
PG 29	with thread		79	HDC 48A TSLU 1PG29G	1666710000

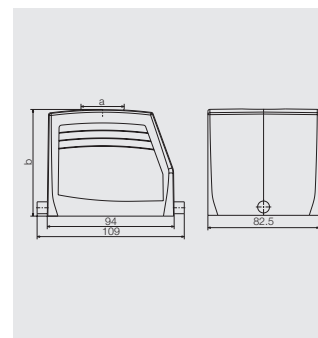


D

Hood, Cable Entry at top



a	Version	Cover	b (mm)	Designation	Order No.
M32	with thread		79	HDC 48A TOLU 1M32G	1788560000
PG 29	with thread		79	HDC 48A TOLU 1PG29G	1666730000



End locking, lower side

Size 9

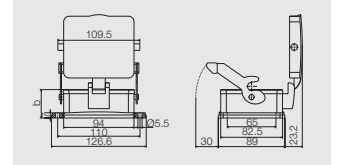
Base



Bulkhead housing



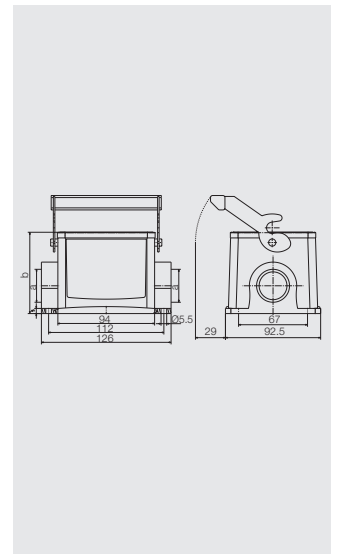
Version	Cover	b (mm)	Designation	Order No.
	with cover	53	HDC 48A ADLU	1666750000
	without cover	36	HDC 48A ALU	1666740000



Base housing



a	Version	Cover	b (mm)	Designation	Order No.
M32	with thread	without cover	79	HDC 48A SLU 2M32G	1788570000
PG 29	with thread	without cover	79	HDC 48A SLU 1PG29G	1666770000
PG 29	with thread	with cover	96	HDC 48A SDLU 1PG29G	1666810000



D

RockStar® Housings IP65 / NEMA Type 4X

Side locking, lower side

Size 10

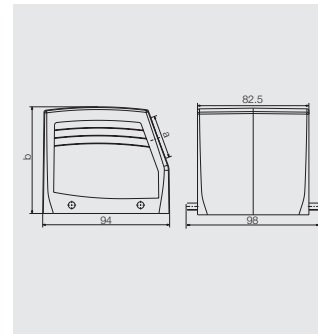
Hood



Hood, Cable Entry sideways



a	Version	Cover	b (mm)	Designation	Order No.
M32	with thread		79	HDC 32B TSBU 1M32G	1788400000
PG 29	with thread		79	HDC 32B TSBU 1PG29G	1666840000

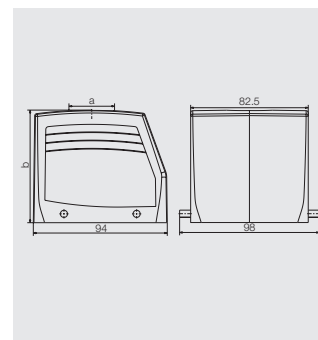


D

Hood, Cable Entry at top



a	Version	Cover	b (mm)	Designation	Order No.
M32	with thread		79	HDC 32B TOBU 1M32G	1788430000
PG 29	with thread		79	HDC 32B TOBU 1PG29G	1666870000



Side locking, lower side

Size 10

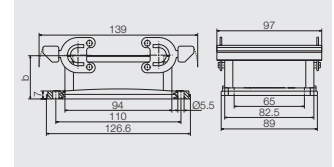
Base



Bulkhead housing



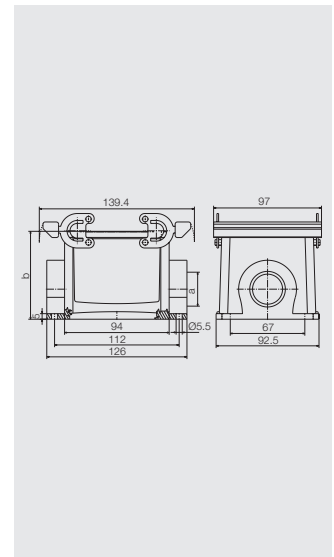
Version	Cover	b (mm)	Designation	Order No.
	without cover	38	HDC 32B ABU	1217800000



Base housing



a	Version	Cover	b (mm)	Designation	Order No.
M32	with thread	without cover	79	HDC 32B SBU 1M32G	1902600000
M32	with thread	without cover	79	HDC 32B SBU 2M32G	1788460000
PG 29	with thread	without cover	79	HDC 32B SBU 2PG29G	1666920000
PG 36	with thread	without cover	79	HDC 32B SBU 1PG36G	1902610000
PG 36	with thread	without cover	79	HDC 32B SBU 2PG36G	1902640000

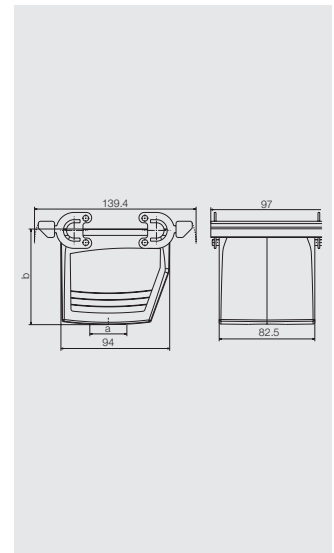


D

Coupling hood



a	Version	Cover	b (mm)	Designation	Order No.
M40	with thread		83	HDC 32B KBU 1M40G	1902730000
PG 29	with thread		83	HDC 32B KBU 1PG29S	1902740000
PG 29	with thread		83	HDC 32B KBU 1PG36S	1902750000



RockStar® Housings IP65 / NEMA Type 4X

End locking, lower side

Size 10

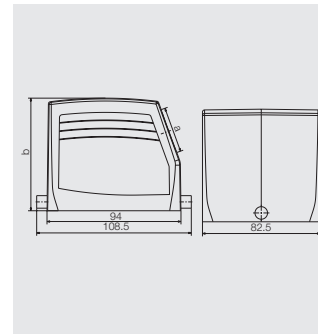
Hood



Hood, Cable Entry sideways



a	Version	Cover	b (mm)	Designation	Order No.
M32	with thread		79	HDC 32B TSLU 1M32G	1788420000
PG 29	with thread		79	HDC 32B TSLU 1PG29G	1667120000

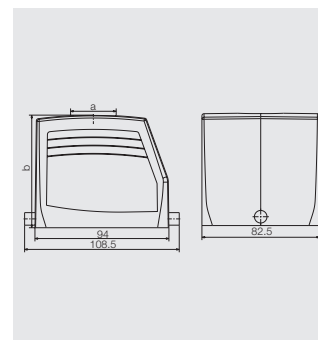


D

Hood, Cable Entry at top



a	Version	Cover	b (mm)	Designation	Order No.
M32	with thread		79	HDC 32B TOLU 1M32G	1788450000
PG 29	w. cable gland		79	HDC 32B TOLU 1PG 29G	1219300000



End locking, lower side

Size 10

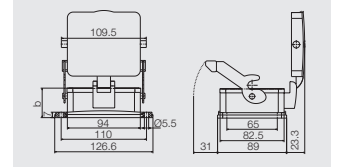
Base



Bulkhead housing



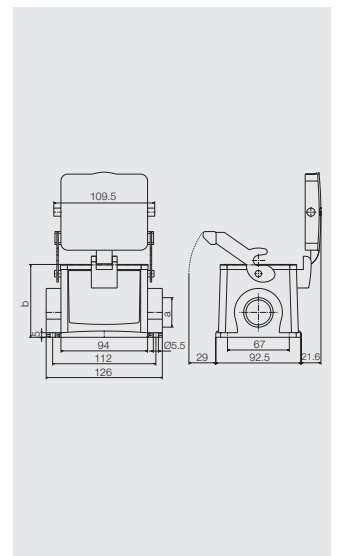
Version	Cover	b (mm)	Designation	Order No.
	with cover	55	HDC 32B ADLU	1219800000
	without cover	38	HDC 32B ALU	1219500000



Base housing



a	Version	Cover	b (mm)	Designation	Order No.
M32	with thread	without cover	79	HDC 32B SLU 1M32G	1902670000
M32	with thread	with cover	96	HDC 32B SDLU 1M32G	1902650000
M32	with thread	without cover	79	HDC 32B SLU 2M32G	1788470000
M32	with thread	with cover	96	HDC 32B SDLU 2M32G	1788490000

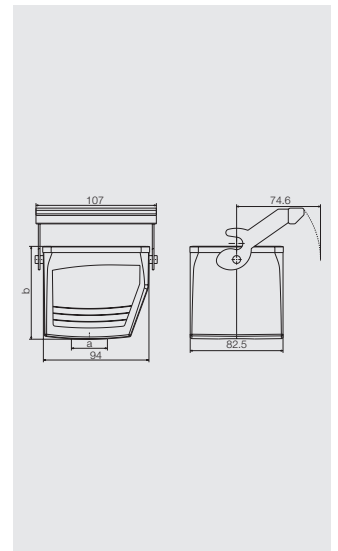


D

Coupling hood



a	Version	Cover	b (mm)	Designation	Order No.
M32	with thread		83	HDC 32B KLU 1M32G	1788500000



RockStar® Housings IP65 / NEMA Type 4X

Side locking, upper side

Size 10

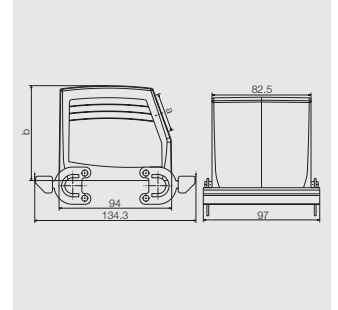
Hood



Hood, Cable Entry sideways



a	Version	Cover	b (mm)	Designation	Order No.
M32	with thread		79	HDC 32B TSBO 1M32G	1788410000



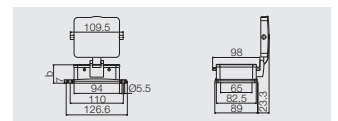
D

Base

Bulkhead housing



Version	Cover	b (mm)	Designation	Order No.
	with cover	55	HDC 32B ADBO	1218800000



End locking, lower side

Size 12

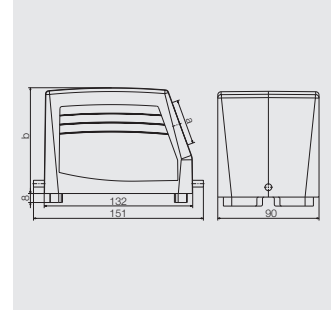
Hood



Hood, Cable Entry sideways



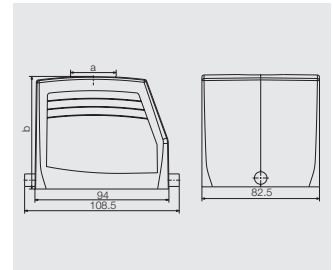
a	Version	Cover	b (mm)	Designation	Order No.
M32	with thread		94	HDC 48B TSLU 1M32G	1788320000
M40	with thread		94	HDC 48B TSLU 1M40G	1788310000
M50	with thread		94	HDC 48B TSLU 1M50G	1788300000
PG 29	with thread		94	HDC 48B TSLU 1PG29G	1650850000
PG 36	with thread		94	HDC 48B TSLU 1PG36G	1650860000
PG 42	with thread		94	HDC 48B TSLU 1PG42G	1670470000



Hood, Cable Entry at top



a	Version	Cover	b (mm)	Designation	Order No.
M32	with thread		94	HDC 48B TOLU 1M32G	1788350000
M50	with thread		94	HDC 48B TOLU 1M50G	1788330000
PG 29	with thread		94	HDC 48B TOLU 1PG29G	1650980000
PG 36	with thread		94	HDC 48B TOLU 1PG36G	1651000000



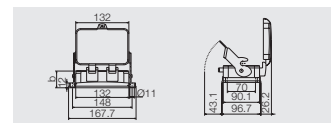
D

Base

Bulkhead housing



Version	Cover	b (mm)	Designation	Order No.
	with cover	62	HDC 48B ADLU	1222900000



Base housing



a	Version	Cover	b (mm)	Designation	Order No.
M32	with thread	without cover	100	HDC 48B SLU 1M32G	1904190000
M32	with thread	with cover	120	HDC 48B SDLU 1M32G	1904150000
M32	with thread	without cover	100	HDC 48B SLU 2M32G	1788370000
M32	with thread	with cover	120	HDC 48B SDLU 2M32G	1788390000
M40	with thread	without cover	100	HDC 48B SLU 2M40G	1788360000
PG 29	with thread	without cover	100	HDC 48B SLU 1PG29G	1651100000
PG 29	with thread	with cover	120	HDC 48B SDLU 1PG29G	1799810000
PG 29	with thread	with cover	120	HDC 48B SDLU 2PG29G	1667560000

