

Surge protection for low-voltage consumer installations and electronics

Surge protection of class II

The Weidmüller PU II series surge protection protects low-voltage consumer installations and electronic devices against voltage surges that arise through, for example, atmospheric discharge (lightning) or switching activities (transients).

The PU II series satisfies the requirements of class II to IEC 61643-1 (March 2005); type 2 to EN 61643-11 and class C to DIN VDE0675 pt 6 (Nov 1989) A1 (Feb 1996)/A2 (Oct 1996)

Electrical connection

F

Connect the PU II surge protection between the phase conductors (L1, L2, L3) or, as the case may be, the neutral conductor (N) and earth of the consumer installation. The connecting conductors should be kept as short as possible. Ensure that unprotected conductors (e.g. wires to the meter) are not run parallel to protected wires.

The universal “3+1” circuit for TN or TT systems is available from the Weidmüller product range.

The PU II surge protection device is available as a 2, 3 or 4-pole compact module, the PE connections of the discs being already internally connected to each other.

We can supply the following voltage rating versions:

U_n : 60 V AC = U_c : 75 V

U_n : 115/230 V AC = U_c : 130 V

U_n : 230/400 V AC = U_c : 280 V

U_n : 400/690 V AC = U_c : 385 V

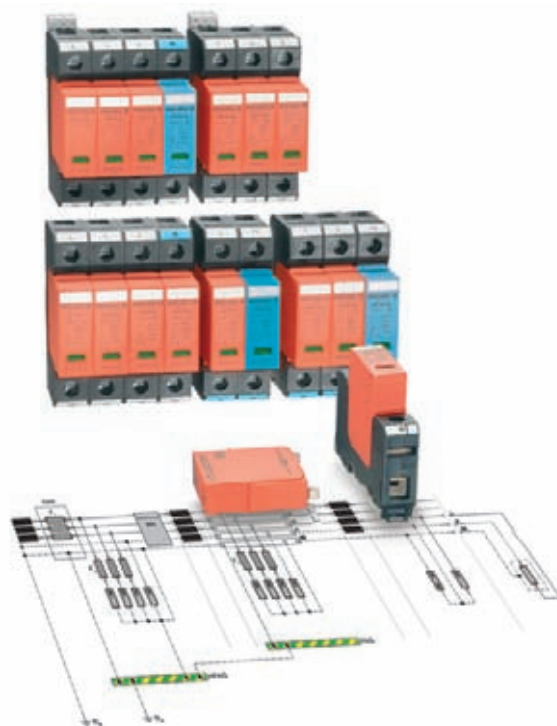
U_n : 470/600 V AC = U_c : 550 V

as well as for the 3+1 circuit and special types for IT networks.

The PU II series offers a choice of voltage ($U_n < U_c$) and number of arresters to satisfy the various power systems. The national regulations and safety information must be observed, see IEC60364-5-53 or DIN VDE 0100 pt 534.

Functional checks, maintenance and approvals

PU II surge modules can be checked visually by the user. The visual check is simple to perform because the arrester is provided with a thermal disconnecter. If this has responded, i.e. is no longer providing protection, the flag in the status window changes from green to red.



A non-functioning arrester can be replaced by a qualified technician without having to disconnect any wiring. The plug-in top sections of varistors are coded according to voltage. This means it is not possible to plug in the wrong replacement varistor.

EWS system

The EWS system has a yellow indicator in the sight window in addition to the green and red indicators. This is a wear indicator that shows if the varistor has aged as a result of energy loads. This is also indicated via the optional telecommunication contact. Replacement of the plug-in arrester is recommended.

LCF function

The leakage current free protection circuit (LCF function) is achieved by connecting the varistor and sparkover gap in series. This protection circuit is needed in the case of an insulation monitoring device, for example.

Connection

The cross-section of the earthing conductor must be at least 10 mm² or half the cross-section of the phase conductors. The fuse for PU II modules is selected on the basis of conductor cross-section and type of routing. A maximum of 125 A gG/gL is permitted.

PU II series arresters from Weidmüller are suitable for the following cross-sections:
 solid conductor: 4 ... 35 mm²
 stranded conductor: 4... 25 mm²
 flexible conductor: 4 ... 25 mm²
 The operating temperature range is -40 °C ... +80 °C.

RCD

When installing the PU II series in the direction of power flow after a residual-current circuit-breaker (RCD), the surge current withstand strength must be taken into account. For measuring insulation in the installation, the plug-in insert must be removed and reinserted after measurement is completed.

V-form connection

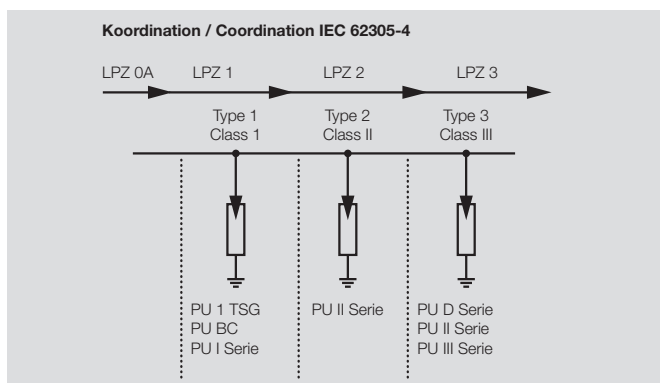
When using cross-connections from the RCD or fuses to the PU II, a V-form wiring arrangement can be used.

Telecommunication contact

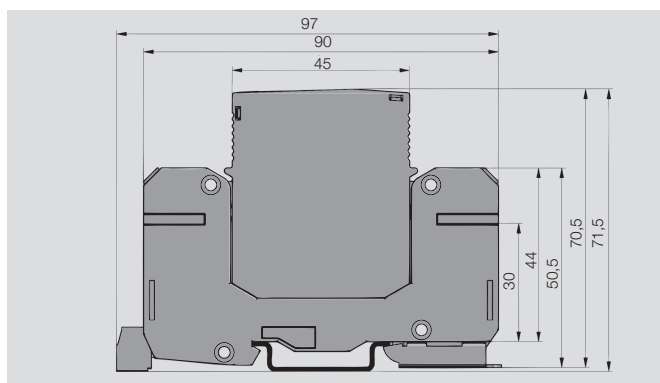
All modules of the PU II series are optionally available with telecommunication contact. This potential-free contact should be connected as a change-over contact via a screw / plug-in connection. The electrical data of the contact are: 250 V AC/1 A or 24 V DC/0.1 A.

Coordination with other arresters

The PU II series can be installed with the following Weidmüller surge protection devices without decoupling.



Dimensional drawing PU-II series



Overall width

- PU II, single-pole 18 mm
- PU II, two-pole 36 mm
- PU II, three-pole 54 mm
- PU II, four-pole 72 mm

Accessories

Type		grey	blue
	QB 18-4 insulated	8877520000	8877510000
	QB 18-3 insulated	8877500000	8877530000
	QB 18-2 insulated	8877540000	8877550000

Surge protection for low-voltage supplies

Class II with varistors

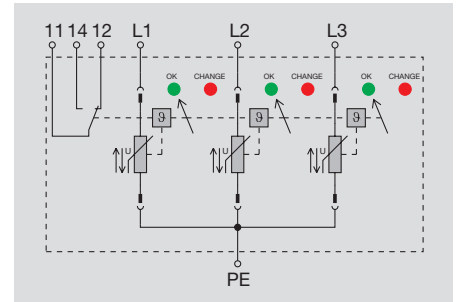
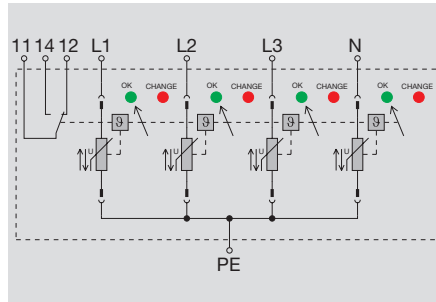
Surge protection of class II
with U_c : 280 V

- plug-in varistor top section
- coded voltage level, var. volts.
- high energy absorption with short response time
- 180° rotatable insert
- no follow current
- installation in Insta distributor
- thermal safety function
- coordination between class I with U_p : < 900 V

PU II 4/R 280 V / 40 kA



PU II 3/R 280 V / 40 kA



Technical data

Technical data

Nominal voltage
max. continuous voltage, U_c (AC)
max. continuous voltage, U_c (DC)
Requirements class to IEC 61643-1
Rated discharge current (8/20 μ s)
Limiting discharge current (8/20 μ s)
Discharge current, max. (8/20 μ s)
Response time
Fuse, max.
Protection level at I_n (U_p)
Protection level at 5 kA (U_p)
Temporary surge - U_{TOV}
Optical function indicator
Signalling contact
Design
Ambient temperature (operational)
Storage temperature
Approvals

230 V / 400 V
280 V
350 V
Class II *
20 kA
40 kA
150 kA
 ≤ 25 ns
125 A gL
< 1450 V
< 850 V
335 V
green = OK; red = arrester faulty, replace
250 V 1A 1CO at PU II 4 R
4 unit widths; Installation housing
-40 ... 80°C
-40 ... 85°C
CE, ÖVE, cURus in preparation

230 V / 400 V
280 V
350 V
Class II *
20 kA
40 kA
110 kA
 ≤ 25 ns
125 A gL
< 1450 V
< 850 V
335 V
green = OK; red = arrester faulty, replace
250 V 1A 1CO at PU II 3 R
3 unit widths; Installation housing
-40 ... 80°C
-40 ... 85°C
CE, ÖVE, cURus in preparation

Dimensions

Clamping range (rating- / min. / max.) mm²
Length x width x height mm

without telecomm. contact with telecomm. contact

25 / 4 / 25 25 / 4 / 25
90 x 72 x 64 97 x 72 x 64

without telecomm. contact with telecomm. contact

25 / 4 / 25 25 / 4 / 25
90 x 54 x 64 97 x 54 x 64

Note

* This product also fulfils the requirements for Class III with U_{oc} : 6 kV

* This product also fulfils the requirements for Class III with U_{oc} : 6 kV

Ordering data

Version

without telecomm. contact
with telecomm. contact

Type	Qty.	Order No.
PU II 4 280V/40kA	1	8859640000
PU II 4 R 280V/40kA	1	8859660000

Type	Qty.	Order No.
PU II 3 280V/40kA	1	8859630000
PU II 3 R 280V/40kA	1	8859650000

Note

Accessories

Note

Plug-in spare arrester PU II 0 280V / 40kA - 8859750000

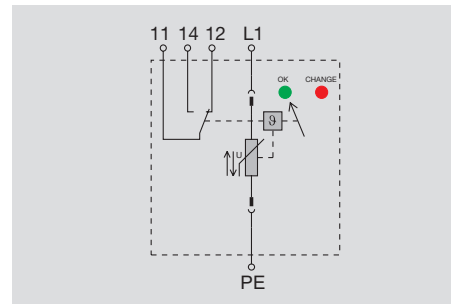
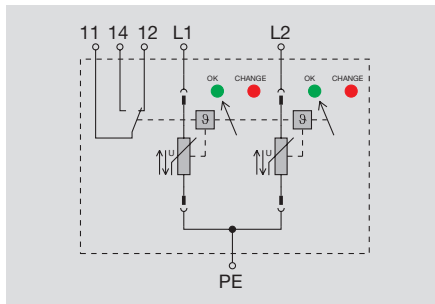
Plug-in spare arrester PU II 0 280V / 40kA - 8859750000

Class II with varistors

- Surge protection of class II with Uc: 280 V
- plug-in varistor top section
- coded voltage level, var. volts.
- high energy absorption with short response time
- 180° rotatable insert
- no follow current
- installation in Insta distributor
- thermal safety function
- coordination between class I with Up: < 900 V

PU II 2/R 280 V / 40 kA

PU II 1/R 280 V / 40 kA



Technical data

Technical data	
Nominal voltage	230 V
max. continuous voltage, Uc (AC)	280 V
max. continuous voltage, Uc (DC)	350 V
Requirements class to IEC 61643-1	Class II *
Rated discharge current (8/20 μs)	20 kA
Limiting discharge current (8/20 μs)	40 kA
Discharge current, max. (8/20 μs)	75 kA
Response time	≤ 25 ns
Fuse, max.	125 A gL
Protection level at In (Up)	< 1450 V
Protection level at 5 kA (Up)	< 850 V
Temporary surge - U _{TOV}	335 V
Optical function indicator	green = OK; red = arrester faulty, replace
Signalling contact	250 V 1A 1CO at PU II 2 R
Design	2 unit widths; Installation housing
Ambient temperature (operational)	-40 ... 80°C
Storage temperature	-40 ... 85°C
Approvals	CE, ÖVE, cURus in preparation
Dimensions	
Clamping range (rating- / min. / max.)	mm ² 25 / 4 / 25
Length x width x height	mm 90 x 36 x 64
Note	
* This product also fulfils the requirements for Class III with Uoc: 6 kV	

without telecomm. contact		with telecomm. contact	
Nominal voltage	230 V	Nominal voltage	230 V
max. continuous voltage, Uc (AC)	280 V	max. continuous voltage, Uc (AC)	280 V
max. continuous voltage, Uc (DC)	350 V	max. continuous voltage, Uc (DC)	350 V
Requirements class to IEC 61643-1	Class II *	Requirements class to IEC 61643-1	Class II *
Rated discharge current (8/20 μs)	20 kA	Rated discharge current (8/20 μs)	20 kA
Limiting discharge current (8/20 μs)	40 kA	Limiting discharge current (8/20 μs)	40 kA
Discharge current, max. (8/20 μs)	75 kA	Discharge current, max. (8/20 μs)	40 kA
Response time	≤ 25 ns	Response time	≤ 25 ns
Fuse, max.	125 A gL	Fuse, max.	125 A gL
Protection level at In (Up)	< 1450 V	Protection level at In (Up)	< 1450 V
Protection level at 5 kA (Up)	< 850 V	Protection level at 5 kA (Up)	< 850 V
Temporary surge - U _{TOV}	335 V	Temporary surge - U _{TOV}	335 V
Optical function indicator	green = OK; red = arrester faulty, replace	Optical function indicator	green = OK; red = arrester faulty, replace
Signalling contact	250 V 1A 1CO at PU II 2 R	Signalling contact	250 V 1A 1CO at PU II 1 R
Design	2 unit widths; Installation housing	Design	1 unit width; Installation housing
Ambient temperature (operational)	-40 ... 80°C	Ambient temperature (operational)	-40 ... 80°C
Storage temperature	-40 ... 85°C	Storage temperature	-40 ... 85°C
Approvals	CE, ÖVE, cURus in preparation	Approvals	CE, ÖVE, cURus in preparation
Dimensions			
Clamping range (rating- / min. / max.)		mm ² 25 / 4 / 25	25 / 4 / 25
Length x width x height		mm 90 x 36 x 64	97 x 36 x 64
Note			
* This product also fulfils the requirements for Class III with Uoc: 6 kV			

without telecomm. contact		with telecomm. contact	
Nominal voltage	230 V	Nominal voltage	230 V
max. continuous voltage, Uc (AC)	280 V	max. continuous voltage, Uc (AC)	280 V
max. continuous voltage, Uc (DC)	350 V	max. continuous voltage, Uc (DC)	350 V
Requirements class to IEC 61643-1	Class II *	Requirements class to IEC 61643-1	Class II *
Rated discharge current (8/20 μs)	20 kA	Rated discharge current (8/20 μs)	20 kA
Limiting discharge current (8/20 μs)	40 kA	Limiting discharge current (8/20 μs)	40 kA
Discharge current, max. (8/20 μs)	75 kA	Discharge current, max. (8/20 μs)	40 kA
Response time	≤ 25 ns	Response time	≤ 25 ns
Fuse, max.	125 A gL	Fuse, max.	125 A gL
Protection level at In (Up)	< 1450 V	Protection level at In (Up)	< 1450 V
Protection level at 5 kA (Up)	< 850 V	Protection level at 5 kA (Up)	< 850 V
Temporary surge - U _{TOV}	335 V	Temporary surge - U _{TOV}	335 V
Optical function indicator	green = OK; red = arrester faulty, replace	Optical function indicator	green = OK; red = arrester faulty, replace
Signalling contact	250 V 1A 1CO at PU II 2 R	Signalling contact	250 V 1A 1CO at PU II 1 R
Design	2 unit widths; Installation housing	Design	1 unit width; Installation housing
Ambient temperature (operational)	-40 ... 80°C	Ambient temperature (operational)	-40 ... 80°C
Storage temperature	-40 ... 85°C	Storage temperature	-40 ... 85°C
Approvals	CE, ÖVE, cURus in preparation	Approvals	CE, ÖVE, cURus in preparation
Dimensions			
Clamping range (rating- / min. / max.)		mm ² 25 / 4 / 25	25 / 4 / 25
Length x width x height		mm 90 x 18 x 64	97 x 18 x 64
Note			
* This product also fulfils the requirements for Class III with Uoc: 6 kV			

Ordering data

Version	
without telecomm. contact	
with telecomm. contact	
Note	
Accessories	
Note	

Type	Qty.	Order No.
PU II 2 280V/40kA	1	8859680000
PU II 2 R 280V/40kA	1	8859670000
Note		
Plug-in spare arrester PU II 0 280V / 40kA - 8859750000		

Type	Qty.	Order No.
PU II 1 280V/40kA	1	8859690000
PU II 1 R 280V/40kA	1	8859700000
Note		
Plug-in spare arrester PU II 0 280V / 40kA - 8859750000		

Surge protection for low-voltage supplies

Class II with varistors

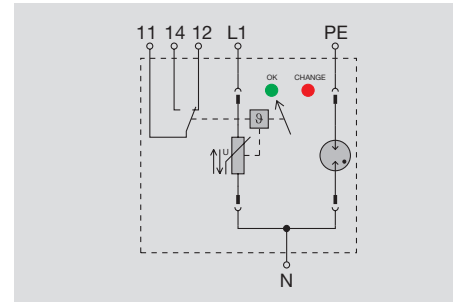
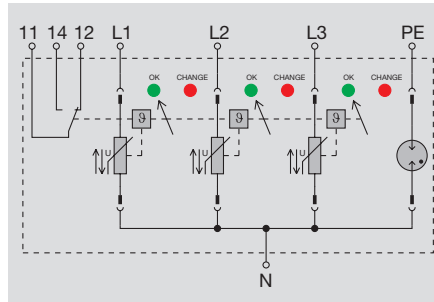
Surge protection of class II
with U_c : 280 V

- 3+1 surge protection, suitable for TN and TT systems
- plug-in varistor top part
- coded voltage level
- high energy absorption with short response time
- 180° rotatable insert
- no follow current
- installation in Insta distributor
- thermal safety function
- coordination between class I with U_p : < 900 V

PU II 3+1/R 280 V / 40 kA



PU II 1+1/R 280 V / 40 kA



Technical data

Technical data

Nominal voltage	230 V / 400 V
max. continuous voltage, U_c (AC)	280 V
max. continuous voltage, U_c (DC)	350 V
Requirements class to IEC 61643-1	Class II *
Rated discharge current (8/20 μ s)	20 kA
Limiting discharge current (8/20 μ s)	40 kA
Discharge current, max. (8/20 μ s)	150 kA
Response time	≤ 25 ns
Fuse, max.	125 A gL
Maximum continuous voltage, U_c (N-PE)	260 V
Limiting leakage current per path 8/20 μ s (N-PE)	40 kA
Protection level for I_n (N-PE)	< 1350 V
Protection level at I_n (Up)	< 1450 V
Protection level at 5 kA (U_p)	< 850 V
Temporary surge - U_{TOV}	335 V
Optical function indicator	green = OK; red = arrester faulty, replace
Signalling contact	250 V 1A 1CO at PU II 3+1 R
Design	4 unit widths; Installation housing
Ambient temperature (operational)	-40 ... 80°C
Storage temperature	-40 ... 85°C
Approvals	CE, ÖVE, cURus in preparation

Nominal voltage	230 V
max. continuous voltage, U_c (AC)	280 V
max. continuous voltage, U_c (DC)	350 V
Requirements class to IEC 61643-1	Class II *
Rated discharge current (8/20 μ s)	20 kA
Limiting discharge current (8/20 μ s)	40 kA
Discharge current, max. (8/20 μ s)	75 kA
Response time	≤ 25 ns
Fuse, max.	125 A gL
Maximum continuous voltage, U_c (N-PE)	260 V
Limiting leakage current per path 8/20 μ s (N-PE)	40 kA
Protection level for I_n (N-PE)	< 1350 V
Protection level at I_n (Up)	< 1450 V
Protection level at 5 kA (U_p)	< 850 V
Temporary surge - U_{TOV}	335 V
Optical function indicator	green = OK; red = arrester faulty, replace
Signalling contact	250 V 1A 1CO at PU II 1+1 R
Design	2 unit widths; Installation housing
Ambient temperature (operational)	-40 ... 80°C
Storage temperature	-40 ... 85°C
Approvals	CE, ÖVE, cURus in preparation

Nominal voltage	230 V
max. continuous voltage, U_c (AC)	280 V
max. continuous voltage, U_c (DC)	350 V
Requirements class to IEC 61643-1	Class II *
Rated discharge current (8/20 μ s)	20 kA
Limiting discharge current (8/20 μ s)	40 kA
Discharge current, max. (8/20 μ s)	75 kA
Response time	≤ 25 ns
Fuse, max.	125 A gL
Maximum continuous voltage, U_c (N-PE)	260 V
Limiting leakage current per path 8/20 μ s (N-PE)	40 kA
Protection level for I_n (N-PE)	< 1350 V
Protection level at I_n (Up)	< 1450 V
Protection level at 5 kA (U_p)	< 850 V
Temporary surge - U_{TOV}	335 V
Optical function indicator	green = OK; red = arrester faulty, replace
Signalling contact	250 V 1A 1CO at PU II 1+1 R
Design	2 unit widths; Installation housing
Ambient temperature (operational)	-40 ... 80°C
Storage temperature	-40 ... 85°C
Approvals	CE, ÖVE, cURus in preparation

Dimensions

Clamping range (rating- / min. / max.)	mm ²
Length x width x height	mm

without telecomm. contact with telecomm. contact

Clamping range (rating- / min. / max.)	25 / 4 / 25	25 / 4 / 25
Length x width x height	90 x 72 x 64	97 x 72 x 64

without telecomm. contact with telecomm. contact

Clamping range (rating- / min. / max.)	25 / 4 / 25	25 / 4 / 25
Length x width x height	90 x 36 x 64	97 x 36 x 64

Note

* This product also fulfils the requirements for Class III with U_{oc} : 6 kV

* This product also fulfils the requirements for Class III with U_{oc} : 6 kV

Ordering data

Version	
	without telecomm. contact
	with telecomm. contact

Type	Qty.	Order No.
PU II 3+1 280V/40kA	1	8859710000
PU II 3+1R 280V/40kA	1	8859720000

Type	Qty.	Order No.
PU II 1+1 280V/40kA	1	8859730000
PU II 1+1R 280V/40kA	1	8859740000

Note

Accessories

Note

Plug-in spare arrester PU II 0 280V / 40kA - 8859750000
Plug-in spare arrester PU II 0 N-PE 280V / 40kA - 8871940000

Plug-in spare arrester PU II 0 280V / 40kA - 8859750000
Plug-in spare arrester PU II 0 N-PE 280V / 40kA - 8871940000

Class II with varistors

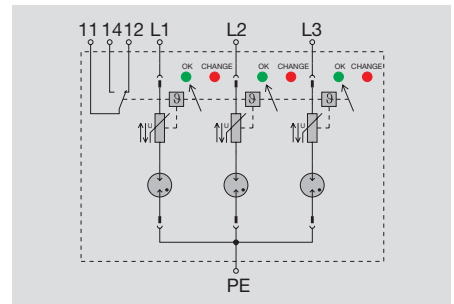
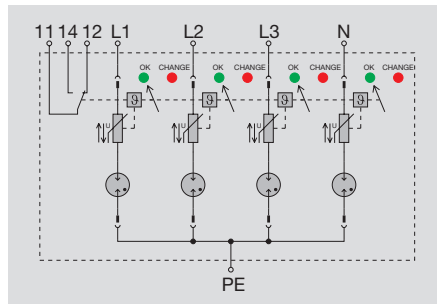
Surge protection of class II with Uc: 280 V

- plug-in varistor top section
- coded voltage level, var. volts.
- high energy absorption with short response time
- 180° rotatable insert
- no follow current
- installation in Insta distributor
- thermal safety function
- coordination between class I with Up: < 900 V
- leakage current free design for installation before meter

PU II 4 LCF/R LCF 280 V / 40 kA



PU II 3 LCF/R LCF 280 V / 40 kA



Technical data

Technical data	
Nominal voltage	230 V / 400 V
max. continuous voltage, Uc (AC)	280 V
max. continuous voltage, Uc (DC)	350 V
Requirements class to IEC 61643-1	Class II *
Rated discharge current (8/20 μs)	20 kA
Limiting discharge current (8/20 μs)	20 kA
Discharge current, max. (8/20 μs)	80 kA
Response time	≤ 25 ns
Fuse, max.	125 A gL
Protection level at In (Up)	< 2500 V
Protection level at 5 kA (Up)	< 850 V
Temporary surge - U _{TOV}	335 V
Optical function indicator	green = OK; red = arrester faulty, replace
Signalling contact	250 V 1A 1CO at PU II 4 R
Design	4 unit widths; Installation housing
Ambient temperature (operational)	-40 ... 80°C
Storage temperature	-40 ... 85°C
Approvals	CE, ÖVE, cURus in preparation

230 V / 400 V
280 V
350 V
Class II *
20 kA
20 kA
80 kA
≤ 25 ns
125 A gL
< 2500 V
< 850 V
335 V
green = OK; red = arrester faulty, replace
250 V 1A 1CO at PU II 4 R
4 unit widths; Installation housing
-40 ... 80°C
-40 ... 85°C
CE, ÖVE, cURus in preparation

230 V / 400 V
280 V
350 V
Class II *
20 kA
20 kA
60 kA
≤ 25 ns
125 A gL
< 2500 V
< 850 V
335 V
green = OK; red = arrester faulty, replace
250 V 1A 1CO at PU II 3 R
3 unit widths; Installation housing
-40 ... 80°C
-40 ... 85°C
CE, ÖVE, cURus in preparation

Dimensions	
Clamping range (rating- / min. / max.)	mm²
Length x width x height	mm

without telecomm. contact with telecomm. contact		
25 / 4 / 25	25 / 4 / 25	
90 x 72 x 64	97 x 72 x 64	

without telecomm. contact with telecomm. contact		
25 / 4 / 25	25 / 4 / 25	
90 x 54 x 64	97 x 54 x 64	

Note

* This product also fulfils the requirements for Class III with Uoc: 6 kV

* This product also fulfils the requirements for Class III with Uoc: 6 kV

Ordering data

Version	
	without telecomm. contact
	with telecomm. contact

Type	Qty.	Order No.
PU II 4 LCF 280V/20kA	1	8859770000
PU II 4 R LCF 280V/20kA	1	8859790000

Type	Qty.	Order No.
PU II 3 LCF 280V/20kA	1	8859760000
PU II 3 R LCF 280V/20kA	1	8859780000

Note

Accessories

Note

Plug-in spare arrester PU II 0 LCF 280V/40kA - 888934000

Plug-in spare arrester PU II 0 LCF 280V/40kA - 888934000

Surge protection for low-voltage supplies

Class II with varistors

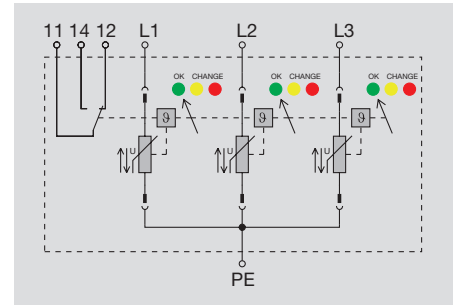
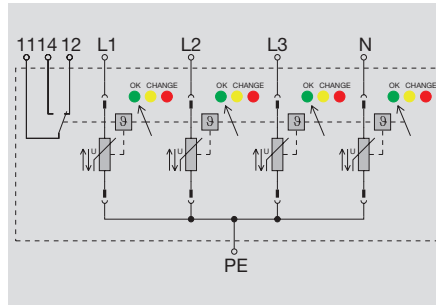
Surge protection of class II
with U_c : 280 V

- failure warning through yellow LED
- plug-in varistor top section
- coded voltage level
- high energy absorption with short response time
- 180° rotatable insert
- no follow current
- installation in Insta distributor
- thermal safety function
- coordination between class I with U_p : < 900 V

PU II 4 EWS/R EWS 280 V / 40 kA



PU II 3 EWS/R EWS 280 V / 40 kA



Technical data

Technical data

Nominal voltage
max. continuous voltage, U_c (AC)
max. continuous voltage, U_c (DC)
Requirements class to IEC 61643-1
Rated discharge current (8/20 μ s)
Limiting discharge current (8/20 μ s)
Discharge current, max. (8/20 μ s)
Response time
Fuse, max.
Protection level at I_n (U_p)
Protection level at 5 kA (U_p)
Temporary surge - U_{TOV}
Optical function indicator
Signalling contact
Design
Ambient temperature (operational)
Storage temperature
Approvals

230 V / 400 V
280 V
350 V
Class II *
20 kA
40 kA
150 kA
 ≤ 25 ns
125 A gL
< 1450 V
< 850 V
335 V
green = ok, yellow = warning, red = arrester faulty, replace
250 V 1A 1CO at PU II 4 R
4 unit widths; Installation housing
-40 ... 80°C
-40 ... 85°C
CE, ÖVE, cURus in preparation

230 V / 400 V
280 V
350 V
Class II *
20 kA
40 kA
110 kA
 ≤ 25 ns
125 A gL
< 1450 V
< 850 V
335 V
green = ok, yellow = warning, red = arrester faulty, replace
250 V 1A 1CO at PU II 3 R
3 unit widths; Installation housing
-40 ... 80°C
-40 ... 85°C
CE, ÖVE, cURus in preparation

Dimensions

Clamping range (rating- / min. / max.) mm²
Length x width x height mm

without telecomm. contact with telecomm. contact

25 / 4 / 25 25 / 4 / 25
90 x 72 x 64 97 x 72 x 64

without telecomm. contact with telecomm. contact

25 / 4 / 25 25 / 4 / 25
90 x 54 x 64 97 x 54 x 64

Note

* This product also fulfils the requirements for Class III with U_{oc} : 6 kV

* This product also fulfils the requirements for Class III with U_{oc} : 6 kV

Ordering data

Version

without telecomm. contact
with telecomm. contact

Type	Qty.	Order No.
PU II 4 EWS 280V/40kA	1	8859810000
PU II 4 R EWS 280V/40kA	1	8859830000

Type	Qty.	Order No.
PU II 3 EWS 280V/40kA	1	8859800000
PU II 3 R EWS 280V/40kA	1	8859820000

Note

Accessories

Note

Plug-in spare arrester PU II 0 EWS 280V/40kA - 8889350000

Plug-in spare arrester PU II 0 EWS 280V/40kA - 8889350000

Surge protection for low-voltage supplies

Class II with varistors

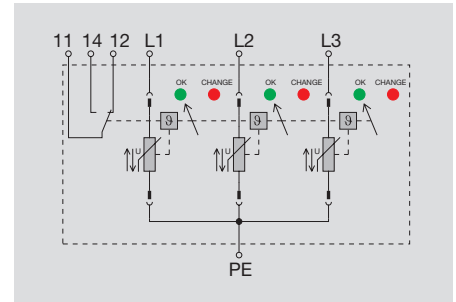
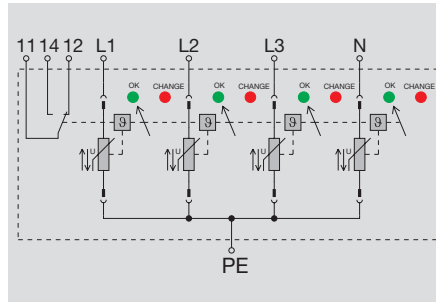
Surge protection of class II
with U_c : 385 V

- plug-in varistor top section
- coded voltage level, var. volts.
- high energy absorption with short response time
- 180° rotatable insert
- no follow current
- installation in Insta distributor
- thermal safety function

PU II 4/R 385 V / 40 kA



PU II 3/R 385 V / 40 kA



Technical data

Technical data

Nominal voltage
max. continuous voltage, U_c (AC)
max. continuous voltage, U_c (DC)
Requirements class to IEC 61643-1
Rated discharge current (8/20 μ s)
Limiting discharge current (8/20 μ s)
Discharge current, max. (8/20 μ s)
Response time
Fuse, max.
Protection level at I_n (U_p)
Protection level at 5 kA (U_p)
Temporary surge - U_{TOV}
Optical function indicator
Signalling contact
Design
Ambient temperature (operational)
Storage temperature
Approvals

385 V / 660 V
385 V
500 V
Class II *
20 kA
40 kA
150 kA
 ≤ 25 ns
125 A gL
< 1800 V
< 1300 V
400 V
green = OK; red = arrester faulty, replace
250 V 1A 1CO at PU II 4 R
4 unit widths; Installation housing
-40 ... 80°C
-40 ... 85°C
CE, ÖVE, cURus in preparation

385 V / 660 V
385 V
500 V
Class II *
20 kA
40 kA
110 kA
 ≤ 25 ns
125 A gL
< 1800 V
< 1300 V
400 V
green = OK; red = arrester faulty, replace
250 V 1A 1CO at PU II 3 R
3 unit widths; Installation housing
-40 ... 80°C
-40 ... 85°C
CE, ÖVE, cURus in preparation

Dimensions

Clamping range (rating- / min. / max.) mm²
Length x width x height mm

without telecomm. contact with telecomm. contact

25 / 4 / 25 25 / 4 / 25
90 x 72 x 64 97 x 72 x 64

without telecomm. contact with telecomm. contact

25 / 4 / 25 25 / 4 / 25
90 x 54 x 64 97 x 54 x 64

Note

* This product also fulfils the requirements for Class III with U_{oc} : 6 kV

* This product also fulfils the requirements for Class III with U_{oc} : 6 kV

Ordering data

Version

without telecomm. contact
with telecomm. contact

Type	Qty.	Order No.
PU II 4 385V/40kA	1	8859860000
PU II 4 R 385V/40kA	1	8859870000

Type	Qty.	Order No.
PU II 3 385V/40kA	1	8859840000
PU II 3 R 385V/40kA	1	8859850000

Note

Accessories

Note

Plug-in spare arrester PU II 0 385V / 40kA - 8859940000

Plug-in spare arrester PU II 0 385V / 40kA - 8859940000

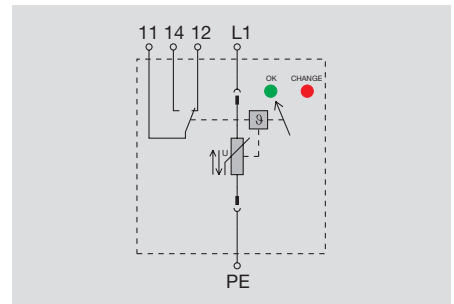
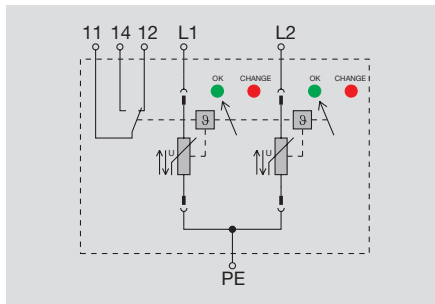
Class II with varistors

Surge protection of class II with U_c : 385 V

- plug-in varistor top section
- coded voltage level, var. volts.
- high energy absorption with short response time
- 180° rotatable insert
- no follow current
- installation in Insta distributor
- thermal safety function

PU II 2/R 385 V / 40 kA

PU II 1/R 385 V / 40 kA



Technical data

Technical data	
Nominal voltage	385 V
max. continuous voltage, U_c (AC)	385 V
max. continuous voltage, U_c (DC)	500 V
Requirements class to IEC 61643-1	Class II *
Rated discharge current (8/20 μ s)	20 kA
Limiting discharge current (8/20 μ s)	40 kA
Discharge current, max. (8/20 μ s)	75 kA
Response time	≤ 25 ns
Fuse, max.	125 A gL
Protection level at I_n (U_p)	< 1800 V
Protection level at 5 kA (U_p)	< 1300 V
Temporary surge - U_{TOV}	400 V
Optical function indicator	green = OK; red = arrester faulty, replace
Signalling contact	250 V 1A 1CO at PU II 2 R
Design	2 unit widths; Installation housing
Ambient temperature (operational)	-40 ... 80°C
Storage temperature	-40 ... 85°C
Approvals	CE, ÖVE, cURus in preparation

without telecomm. contact		with telecomm. contact	
Nominal voltage	385 V	385 V	385 V
max. continuous voltage, U_c (AC)	385 V	385 V	385 V
max. continuous voltage, U_c (DC)	500 V	500 V	500 V
Requirements class to IEC 61643-1	Class II *	Class II *	Class II *
Rated discharge current (8/20 μ s)	20 kA	20 kA	20 kA
Limiting discharge current (8/20 μ s)	40 kA	40 kA	40 kA
Discharge current, max. (8/20 μ s)	75 kA	75 kA	40 kA
Response time	≤ 25 ns	≤ 25 ns	≤ 25 ns
Fuse, max.	125 A gL	125 A gL	125 A gL
Protection level at I_n (U_p)	< 1800 V	< 1800 V	< 1800 V
Protection level at 5 kA (U_p)	< 1300 V	< 1300 V	< 1300 V
Temporary surge - U_{TOV}	400 V	400 V	400 V
Optical function indicator	green = OK; red = arrester faulty, replace	green = OK; red = arrester faulty, replace	green = OK; red = arrester faulty, replace
Signalling contact	250 V 1A 1CO at PU II 2 R	250 V 1A 1CO at PU II 1 R	250 V 1A 1CO at PU II 1 R
Design	2 unit widths; Installation housing	1 unit width; Installation housing	1 unit width; Installation housing
Ambient temperature (operational)	-40 ... 80°C	-40 ... 80°C	-40 ... 80°C
Storage temperature	-40 ... 85°C	-40 ... 85°C	-40 ... 85°C
Approvals	CE, ÖVE, cURus in preparation	CE, ÖVE, cURus in preparation	CE, ÖVE, cURus in preparation

without telecomm. contact		with telecomm. contact	
Nominal voltage	385 V	385 V	385 V
max. continuous voltage, U_c (AC)	385 V	385 V	385 V
max. continuous voltage, U_c (DC)	500 V	500 V	500 V
Requirements class to IEC 61643-1	Class II *	Class II *	Class II *
Rated discharge current (8/20 μ s)	20 kA	20 kA	20 kA
Limiting discharge current (8/20 μ s)	40 kA	40 kA	40 kA
Discharge current, max. (8/20 μ s)	75 kA	75 kA	40 kA
Response time	≤ 25 ns	≤ 25 ns	≤ 25 ns
Fuse, max.	125 A gL	125 A gL	125 A gL
Protection level at I_n (U_p)	< 1800 V	< 1800 V	< 1800 V
Protection level at 5 kA (U_p)	< 1300 V	< 1300 V	< 1300 V
Temporary surge - U_{TOV}	400 V	400 V	400 V
Optical function indicator	green = OK; red = arrester faulty, replace	green = OK; red = arrester faulty, replace	green = OK; red = arrester faulty, replace
Signalling contact	250 V 1A 1CO at PU II 2 R	250 V 1A 1CO at PU II 1 R	250 V 1A 1CO at PU II 1 R
Design	2 unit widths; Installation housing	1 unit width; Installation housing	1 unit width; Installation housing
Ambient temperature (operational)	-40 ... 80°C	-40 ... 80°C	-40 ... 80°C
Storage temperature	-40 ... 85°C	-40 ... 85°C	-40 ... 85°C
Approvals	CE, ÖVE, cURus in preparation	CE, ÖVE, cURus in preparation	CE, ÖVE, cURus in preparation

Dimensions	
Clamping range (rating- / min. / max.)	mm ²
Length x width x height	mm

without telecomm. contact		with telecomm. contact	
Clamping range (rating- / min. / max.)	mm ²	mm ²	mm ²
Length x width x height	mm	mm	mm

without telecomm. contact		with telecomm. contact	
Clamping range (rating- / min. / max.)	mm ²	mm ²	mm ²
Length x width x height	mm	mm	mm

Ordering data

Version	Type	Qty.	Order No.
without telecomm. contact	PU II 2 385V/40kA	1	8859900000
with telecomm. contact	PU II 2R 385V/40kA	1	8859910000

Type	Qty.	Order No.
PU II 2 385V/40kA	1	8859900000
PU II 2R 385V/40kA	1	8859910000

Type	Qty.	Order No.
PU II 1 385V/40kA	1	8859920000
PU II 1 R 385V/40kA	1	8859930000

Note

Note

Note

Accessories

Note

Plug-in spare arrester PU II 0 385V / 40kA - 8859940000

Plug-in spare arrester PU II 0 385V / 40kA - 8859940000

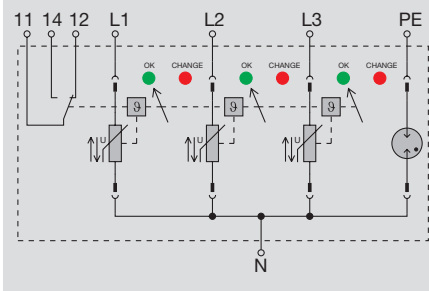
Surge protection for low-voltage supplies

Class II with varistors

Surge protection of class II
with U_c : 385 V

- plug-in varistor top section
- coded voltage level, var. volts.
- high energy absorption with short response time
- 180° rotatable insert
- no follow current
- installation in Insta distributor
- thermal safety function

PU II 3+1/R 385 V / 40 kA



Technical data

Technical data

Nominal voltage
max. continuous voltage, U_c (AC)
max. continuous voltage, U_c (DC)
Requirements class to IEC 61643-1
Rated discharge current (8/20 μ s)
Limiting discharge current (8/20 μ s)
Discharge current, max. (8/20 μ s)
Response time
Fuse, max.
Protection level for In (N-PE)
Protection level at In (U_p)
Protection level at 5 kA (U_p)
Temporary surge - U_{TOV}
Optical function indicator
Signalling contact
Design
Ambient temperature (operational)
Storage temperature
Approvals

385 V / 660 V
385 V
500 V
Class II *
20 kA
40 kA
110 kA
 ≤ 25 ns
125 A gL
< 1350 V
< 1800 V
< 1300 V
400 V
green = OK; red = arrester faulty, replace
250 V 1A 1CO at PU II 3+1 R
4 unit widths; Installation housing
-40 ... 80°C
-40 ... 85°C
CE, ÖVE, cURus in preparation

Dimensions

Clamping range (rating- / min. / max.) mm²
Length x width x height mm

without telecomm. contact with telecomm. contact

25 / 4 / 25 25 / 4 / 25
90 x 72 x 64 97 x 72 x 64

Note

* This product also fulfils the requirements for Class III with U_{oc} : 6 kV

Ordering data

Version

without telecomm. contact
with telecomm. contact

Type	Qty.	Order No.
PU II 3+1 385V/40kA	1	8859880000
PU II 3+1R 385V/40kA	1	8859890000

Note

Accessories

Note

Plug-in spare arrester PU II 0 385V / 40kA - 8859940000
Plug-in spare arrester PU II 0 N-PE 280V / 40kA - 8871940000

Surge protection for low-voltage supplies

Class II with varistors

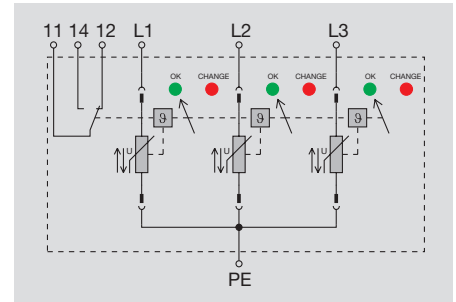
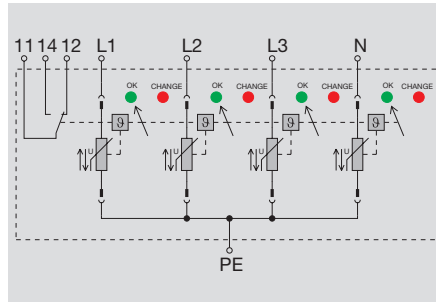
Surge protection of class II
with U_c : 130 V

- plug-in varistor top section
- coded voltage level, var. volts.
- high energy absorption with short response time
- 180° rotatable insert
- no follow current
- installation in Insta distributor
- thermal safety function

PU II 4/R 130 V / 40 kA



PU II 3/R 130 V / 40 kA



Technical data

Technical data

Nominal voltage
max. continuous voltage, U_c (AC)
max. continuous voltage, U_c (DC)
Requirements class to IEC 61643-1
Rated discharge current (8/20 μ s)
Limiting discharge current (8/20 μ s)
Discharge current, max. (8/20 μ s)
Response time
Fuse, max.
Protection level at I_n (U_p)
Protection level at 5 kA (U_p)
Temporary surge - U_{TOV}
Optical function indicator
Signalling contact
Design
Ambient temperature (operational)
Storage temperature
Approvals

120 V / 230 V
130 V
170 V
Class II *
20 kA
40 kA
150 kA
 ≤ 25 ns
125 A gL
< 850 V
< 500 V
150 V
green = OK; red = arrester faulty, replace
250 V 1A 1CO at PU II 4 R
4 unit widths; Installation housing
-40 ... 80°C
-40 ... 85°C
CE, ÖVE, cURus in preparation

120 V / 230 V
130 V
170 V
Class II *
20 kA
40 kA
110 kA
 ≤ 25 ns
125 A gL
< 850 V
< 500 V
150 V
green = OK; red = arrester faulty, replace
250 V 1A 1CO at PU II 3 R
3 unit widths; Installation housing
-40 ... 80°C
-40 ... 85°C
CE, ÖVE, cURus in preparation

Dimensions

Clamping range (rating- / min. / max.) mm²
Length x width x height mm

without telecomm. contact with telecomm. contact

25 / 4 / 25 25 / 4 / 25
90 x 72 x 64 97 x 72 x 64

without telecomm. contact with telecomm. contact

25 / 4 / 25 25 / 4 / 25
90 x 54 x 64 97 x 54 x 64

Note

* This product also fulfils the requirements for Class III with U_{oc} : 6 kV

* This product also fulfils the requirements for Class III with U_{oc} : 6 kV

Ordering data

Version

without telecomm. contact
with telecomm. contact

Type	Qty.	Order No.
PU II 4 130V/40kA	1	8860010000
PU II 4 R 130V/40kA	1	8860020000

Type	Qty.	Order No.
PU II 3 130V/40kA	1	8859990000
PU II 3 R 130V/40kA	1	8860000000

Note

Accessories

Note

Plug-in spare arrester PU II 0 130V / 40kA - 8860030000

Plug-in spare arrester PU II 0 130V / 40kA - 8860030000

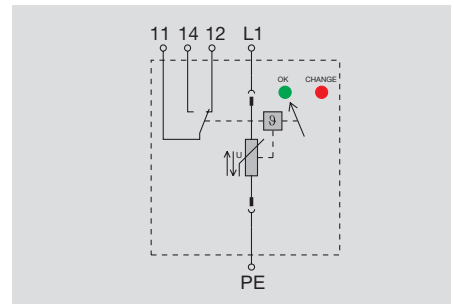
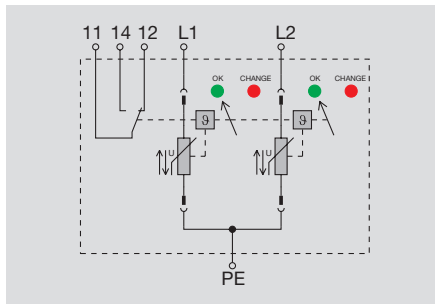
Class II with varistors

Surge protection of class II with Uc: 130 V

- plug-in varistor top section
- coded voltage level, var. volts.
- high energy absorption with short response time
- 180° rotatable insert
- no follow current
- installation in Insta distributor
- thermal safety function

PU II 2/R 130 V / 40 kA

PU II 1/R 130 V / 40 kA



Technical data

Technical data	
Nominal voltage	120 V
max. continuous voltage, Uc (AC)	130 V
max. continuous voltage, Uc (DC)	170 V
Requirements class to IEC 61643-1	Class II *
Rated discharge current (8/20 μs)	20 kA
Limiting discharge current (8/20 μs)	40 kA
Discharge current, max. (8/20 μs)	75 kA
Response time	≤ 25 ns
Fuse, max.	125 A gL
Protection level at In (Up)	< 850 V
Protection level at 5 kA (Up)	< 500 V
Temporary surge - U _{TOV}	150 V
Optical function indicator	green = OK; red = arrester faulty, replace
Signalling contact	250 V 1A 1CO at PU II 2 R
Design	2 unit widths; Installation housing
Ambient temperature (operational)	-40 ... 80°C
Storage temperature	-40 ... 85°C
Approvals	CE, ÖVE, cURus in preparation

Dimensions	
Clamping range (rating- / min. / max.)	mm²
Length x width x height	mm

Note	

without telecomm. contact			with telecomm. contact		
25 / 4 / 25	25 / 4 / 25		25 / 4 / 25	25 / 4 / 25	
90 x 36 x 64	97 x 36 x 64		97 x 36 x 64		

without telecomm. contact			with telecomm. contact		
25 / 4 / 25	25 / 4 / 25		25 / 4 / 25	25 / 4 / 25	
90 x 18 x 64	97 x 18 x 64		97 x 18 x 64		

Note	
	* This product also fulfils the requirements for Class III with Uoc: 6 kV

without telecomm. contact			with telecomm. contact		
25 / 4 / 25	25 / 4 / 25		25 / 4 / 25	25 / 4 / 25	
90 x 18 x 64	97 x 18 x 64		97 x 18 x 64		

Note	
	* This product also fulfils the requirements for Class III with Uoc: 6 kV

Ordering data

Version	Type	Qty.	Order No.
without telecomm. contact	PU II 2 130V/40kA	1	8859970000
with telecomm. contact	PU II 2 R 130V/40kA	1	8859980000

Version	Type	Qty.	Order No.
without telecomm. contact	PU II 1 130V/40kA	1	8859950000
with telecomm. contact	PU II 1 R 130V/40kA	1	8859960000

Note

Accessories

Note
Plug-in spare arrester PU II 0 130V / 40kA - 8860030000

Note
Plug-in spare arrester PU II 0 130V / 40kA - 8860030000

Surge protection for low-voltage supplies

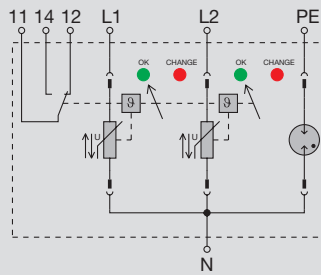
Class II with varistors

Surge protection of class II
with U_c : 550 V

for photovoltaic applications

- plug-in varistor top section
- Coded voltage levels, diverse voltage
- high energy absorption with short time to sparkover
- insert can be rotated through 180°
- no follow current
- installed in Insta distributor
- thermal protection
- coordination between class I with U_p : <1.5 kV

PU II 2+1/R 550 V / 40 kA



Technical data

Technical data

PV voltage to IEC 60364-7-712
max. continuous voltage, DC [(L+/L-) → PE]
Nominal voltage
max. continuous voltage, U_c (AC)
max. continuous voltage, U_c (DC)
Requirements class to IEC 61643-1
Rated discharge current (8/20 μ s)
Limiting discharge current (8/20 μ s)
Discharge current, max. (8/20 μ s)
Response time
Fuse, max.
Protection level at I_n (U_p)
Protection level at 5 kA (U_p)
Temporary surge - U_{TOV}
Optical function indicator
Signalling contact
Design
Ambient temperature (operational)
Storage temperature
Approvals

≤ 1000 V
900 V AC / 1200 V DC
550 V
550 V
745 V
Class II *
20 kA
40 kA
40 kA
 ≤ 25 ns
125 A gL
< 2650 V
< 1700 V
550 V
green = OK; red = arrester faulty, replace
250 V 1A 1CO at PU II 2+1 R
3 unit widths; Installation housing
-40 ... 80°C
-40 ... 85°C
CE, ÖVE, cURus in preparation

Dimensions

Clamping range (rating- / min. / max.) mm²
Length x width x height mm

without telecomm. contact with telecomm. contact

25 / 4 / 25 25 / 4 / 25
90 x 54 x 58 99 x 54 x 58

Note

* This product also fulfils the requirements for Class III with U_{oc} : 6 kV

Ordering data

Version

without telecomm. contact
with telecomm. contact

Type	Qty.	Order No.
PU II 2+1 550V/40kA	1	8882340000
PU II 2+1R 550V/40kA	1	8882350000

Note

Accessories

Note

Plug-in spare arrester PU II 0 550V / 40kA - 8860120000
Plug-in spare arrester PU II 0 N-PE 280V / 40kA - 8871940000

Surge protection for low-voltage supplies

Class II with varistors

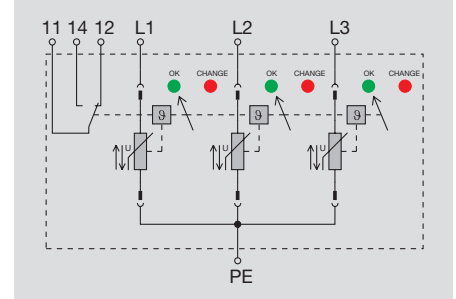
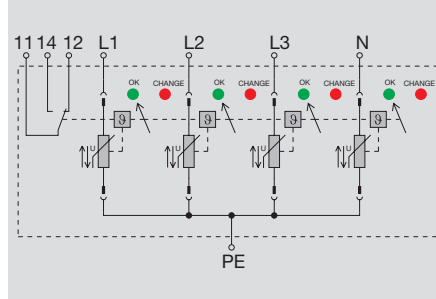
Surge protection of class II
with U_c : 550 V

- plug-in varistor top section
- coded voltage level, var. volts.
- high energy absorption with short response time
- 180° rotatable insert
- no follow current
- installation in Insta distributor
- thermal safety function
- coordination between class I with U_p : <1.5 kV

PU II 4/R 550 V / 40 kA



PU II 3/R 550 V / 40 kA



Technical data

Technical data

Nominal voltage
max. continuous voltage, U_c (AC)
max. continuous voltage, U_c (DC)
Requirements class to IEC 61643-1
Rated discharge current (8/20 μ s)
Limiting discharge current (8/20 μ s)
Discharge current, max. (8/20 μ s)
Response time
Fuse, max.
Protection level at I_n (U_p)
Protection level at 5 kA (U_p)
Temporary surge - U_{TOV}
Optical function indicator
Signalling contact
Design
Ambient temperature (operational)
Storage temperature
Approvals

470 V / 690 V
550 V
745 V
Class II *
20 kA
40 kA
150 kA
 ≤ 25 ns
125 A gL
< 2650 V
< 1700 V
550 V
green = OK; red = arrester faulty, replace
250 V 1A 1CO at PU II 4 R
4 unit widths; Installation housing
-40 ... 80°C
-40 ... 85°C
CE, ÖVE, cURus in preparation

470 V / 690 V
550 V
745 V
Class II *
20 kA
40 kA
110 kA
 ≤ 25 ns
125 A gL
< 2650 V
< 1700 V
550 V
green = OK; red = arrester faulty, replace
250 V 1A 1CO at PU II 3 R
3 unit widths; Installation housing
-40 ... 80°C
-40 ... 85°C
CE, ÖVE, cURus in preparation

Dimensions

Clamping range (rating- / min. / max.) mm²
Length x width x height mm

without telecomm. contact with telecomm. contact

25 / 4 / 25 25 / 4 / 25
90 x 72 x 64 97 x 72 x 64

without telecomm. contact with telecomm. contact

25 / 4 / 25 25 / 4 / 25
90 x 54 x 64 97 x 54 x 64

Note

* This product also fulfils the requirements for Class III with U_{oc} : 6 kV

* This product also fulfils the requirements for Class III with U_{oc} : 6 kV

Ordering data

Version

without telecomm. contact
with telecomm. contact

Type	Qty.	Order No.
PU II 4 550V/40kA	1	8860060000
PU II 4 R 550V/40kA	1	8860070000

Type	Qty.	Order No.
PU II 3 550V/40kA	1	8860080000
PU II 3 R 550V/40kA	1	8860090000

Note

Accessories

Note

Plug-in spare arrester PU II 0 550V / 40kA - 8860120000

Plug-in spare arrester PU II 0 550V / 40kA - 8860120000

Class II with varistors

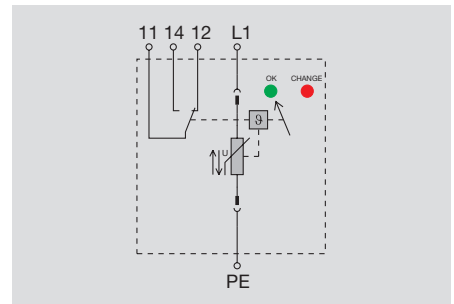
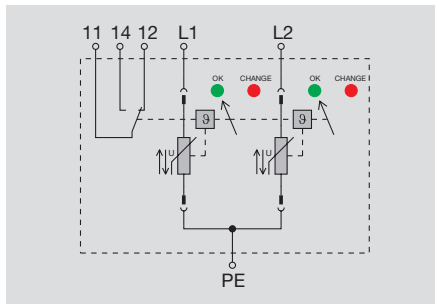
Surge protection of class II with U_c : 550 V

- plug-in varistor top section
- coded voltage level, var. volts.
- high energy absorption with short response time
- 180° rotatable insert
- no follow current
- installation in Insta distributor
- thermal safety function
- coordination between class I with U_p : <1.5 kV

PU II 2/R 550 V / 40 kA



PU II 1/R 550 V / 40 kA



Technical data

Technical data	
Nominal voltage	470 V
max. continuous voltage, U_c (AC)	550 V
max. continuous voltage, U_c (DC)	745 V
Requirements class to IEC 61643-1	Class II *
Rated discharge current (8/20 μ s)	20 kA
Limiting discharge current (8/20 μ s)	40 kA
Discharge current, max. (8/20 μ s)	75 kA
Response time	\leq 25 ns
Fuse, max.	125 A gL
Protection level at I_n (U_p)	< 2650 V
Protection level at 5 kA (U_p)	< 1700 V
Temporary surge - U_{TOV}	550 V
Optical function indicator	green = OK; red = arrester faulty, replace
Signalling contact	250 V 1A 1CO at PU II 2 R
Design	2 unit widths; Installation housing
Ambient temperature (operational)	-40 ... 80°C
Storage temperature	-40 ... 85°C
Approvals	CE, ÖVE, cURus in preparation

without telecomm. contact		with telecomm. contact	
Clamping range (rating- / min. / max.)	25 / 4 / 25	25 / 4 / 25	
Length x width x height	90 x 36 x 64	97 x 36 x 64	

* This product also fulfils the requirements for Class III with U_{oc} : 6 kV

without telecomm. contact		with telecomm. contact	
Clamping range (rating- / min. / max.)	25 / 4 / 25	25 / 4 / 25	
Length x width x height	90 x 18 x 64	97 x 18 x 64	

* This product also fulfils the requirements for Class III with U_{oc} : 6 kV

Ordering data

Version	Type	Qty.	Order No.
without telecomm. contact	PU II 2 550V/40kA	1	886010000
with telecomm. contact	PU II 2 R 550V/40kA	1	8860110000

Version	Type	Qty.	Order No.
without telecomm. contact	PU II 1 550V/40kA	1	8860040000
with telecomm. contact	PU II 1 R 550V/40kA	1	8860050000

Accessories

Note
Plug-in spare arrester PU II 0 550V / 40kA - 8860120000

Note
Plug-in spare arrester PU II 0 550V / 40kA - 8860120000

Surge protection for low-voltage supplies

Class II with varistors

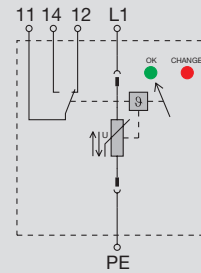
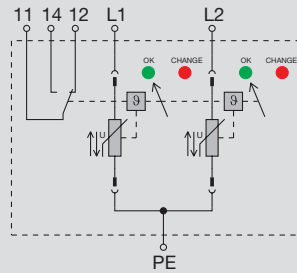
Surge protection of class II
with U_c : 75 V

- plug-in varistor top section
- coded voltage level, var. volts.
- high energy absorption with short response time
- 180° rotatable insert
- no follow current
- installation in Insta distributor
- thermal safety function

PU II 2/R 75 V / 40 kA



PU II 1/R 75 V / 40 kA



Technical data

Technical data

Nominal voltage
max. continuous voltage, U_c (AC)
max. continuous voltage, U_c (DC)
Requirements class to IEC 61643-1
Rated discharge current (8/20 μ s)
Limiting discharge current (8/20 μ s)
Discharge current, max. (8/20 μ s)
Response time
Fuse, max.
Protection level at I_n (U_p)
Protection level at 5 kA (U_p)
Temporary surge - U_{TOV}
Optical function indicator
Signalling contact
Design
Ambient temperature (operational)
Storage temperature
Approvals

60 V
75 V
100 V
Class II *
20 kA
40 kA
75 kA
 ≤ 25 ns
125 A gL
< 700 V
< 300 V
75 V
green = OK; red = arrester faulty, replace
250 V 1A 1CO at PU II 2 R
2 unit widths; Installation housing
-40 ... 80°C
-40 ... 85°C
CE, ÖVE, cURus in preparation

60 V
75 V
100 V
Class II *
20 kA
40 kA
40 kA
 ≤ 25 ns
125 A gL
< 700 V
< 300 V
75 V
green = OK; red = arrester faulty, replace
250 V 1A 1CO at PU II 1 R
1 unit width; Installation housing
-40 ... 80°C
-40 ... 85°C
CE, ÖVE, cURus in preparation

Dimensions

Clamping range (rating- / min. / max.) mm²
Length x width x height mm

without telecomm. contact with telecomm. contact

25 / 4 / 25 25 / 4 / 25
90 x 36 x 64 97 x 36 x 64

without telecomm. contact with telecomm. contact

25 / 4 / 25 25 / 4 / 25
90 x 18 x 64 97 x 18 x 64

Note

* This product also fulfils the requirements for Class III with U_{oc} : 6 kV

* This product also fulfils the requirements for Class III with U_{oc} : 6 kV

Ordering data

Version

without telecomm. contact
with telecomm. contact

Type	Qty.	Order No.
PU II 2 75V/40kA	1	8860130000
PU II 2 R 75V/40kA	1	8860140000

Type	Qty.	Order No.
PU II 1 75V/40kA	1	8860150000
PU II 1 R 75V/40kA	1	8860160000

Note

Accessories

Note

Plug-in spare arrester PU II 0 75V / 40kA - 8879950000

Plug-in spare arrester PU II 0 75V / 40kA - 8879950000