

# CH20M 12 & CH20M 45

## Extension of the modular electronics housing system

**CH20M (Component Housing IP20 Modular) – the new housing standard from Weidmüller – perfectly fits to custom electronics applications.**

Like a “tailor-made suit straight off the rack”, the groundbreaking module concept combines freedom in design with the efficiency as well as the planning reliability of a standard system. Hence also available as 12.5 mm and 45 mm pitch the further completion of the product line is continued in order to cover the full range of established sizes from the 6 mm sliced variants, beyond 22.5 mm up to 67 mm wide-span electronics housings. In addition to scalability, a high level of safety as well as innovative functionality and applicability, the system also convinces with superior advantages in detail. The result: time-saving installation, user-friendly operation as well as high operational reliability and resistance to interference.

CH20M stands for efficiency, ranging from development to production and consistently satisfies all requirements placed on a future-proof platform for modern electronics.



### Evident labelling

Combined with the captive, unique “AutoSet” encoding, the clearly detectable markers on the plug connection and in the front ensure proof against mismatching of the connections.



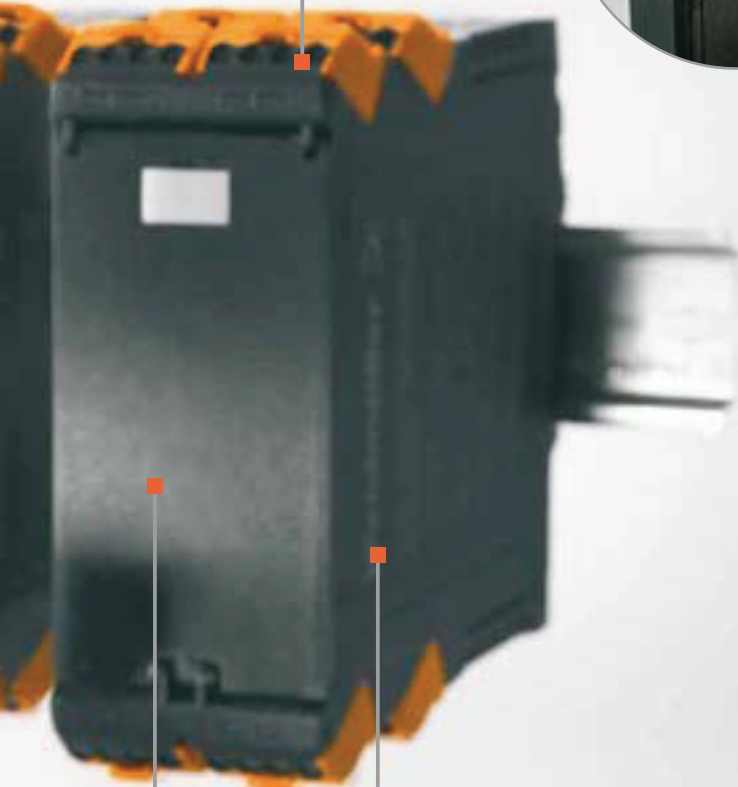
### Visibly locked

The operating and indicator elements can be protected standard by lead-sealing the cover to prevent unauthorised access.



**Fast connection – intuitive ejection**

Simple and fast operation, even in the most difficult installation conditions through integrated and colour-coded release yokes.



**Custom design**

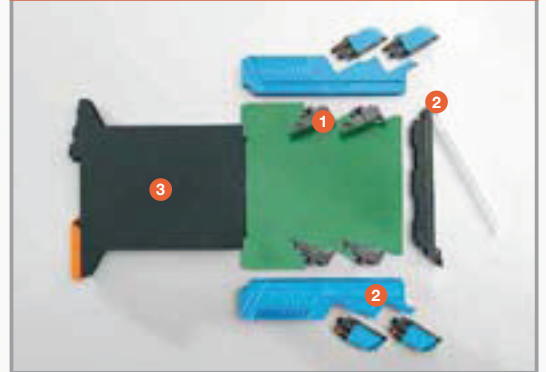
The suitability for laser labelling and the colour options of the housing modules further expand the design options. The swivelling cover can also be variably printed and easily marked.



**Practically oriented operation – clear display**

The transparent, swivelling cover engages when raised and locks into place or can be removed. Operating and indicator elements are legible in the closed state as well. The integrated release yoke enables the ejection of the socket plug in the most difficult installation conditions.

**Efficient production – systematic assembly**



- 1 Left or right oriented pin headers (SLH-SMT) are designed to be soldered with the printed circuit board in all common processes.
- 2 The side elements (SIDE) are simply attached and then pre-assembled with the head components (COVER & FRONT)
- 3 Finally inserted to the snap-on-foot bottom part (BASE), all components are joined into a unit, thereby securely and permanently protecting them against unintended disassembly.

**Automatic coding**



Extensive safety package included standard:

- integrated, captive coding with unique "Autoset" function
- Bi-directional finger safety, both on the plug's AND the pin header's side
- Personal and ESD safety by means of serially leading earth pins

CH20M component housing

Available in second quarter 2009

For current technical data, see [www.weidmueller.com](http://www.weidmueller.com)!

Technical data

General data	
Dimensions W x L x H	mm
Connection system	
Number of connections	
Protection class	
UL 94 flammability class	
Colour	
Material	
Information	

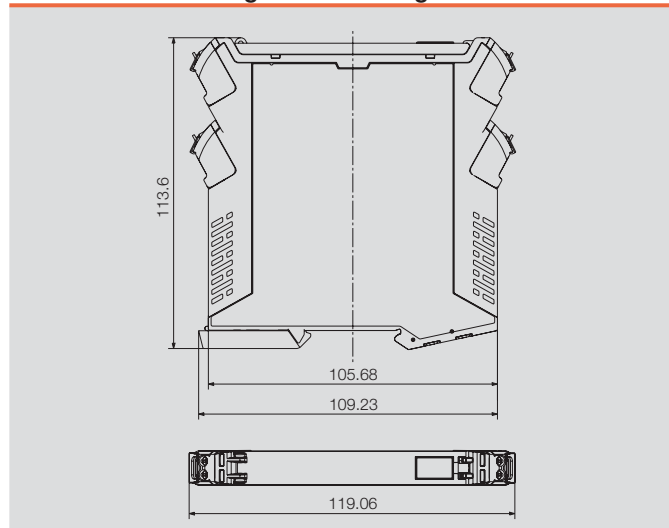
Ordering data

Individual parts	
CH20M BASE element	Base element black, foot orange
CH20M FRONT element	black
CH20M SIDE element	2 connection levels, black
CH20M COVER element	Swivelling cover, black-transparent
Connection system	
Pin block, right	black
Pin block, left	black
Socket connector	Socket connector black / release lever orange

Accessories

ESG 24X13.5/sX43.3	SAI Active universal
--------------------	----------------------

Dimensioned drawing of the housing



CH20M12

Modular component housing for electronic components with widths of 12 mm, pluggable connections for max. 12 conductors

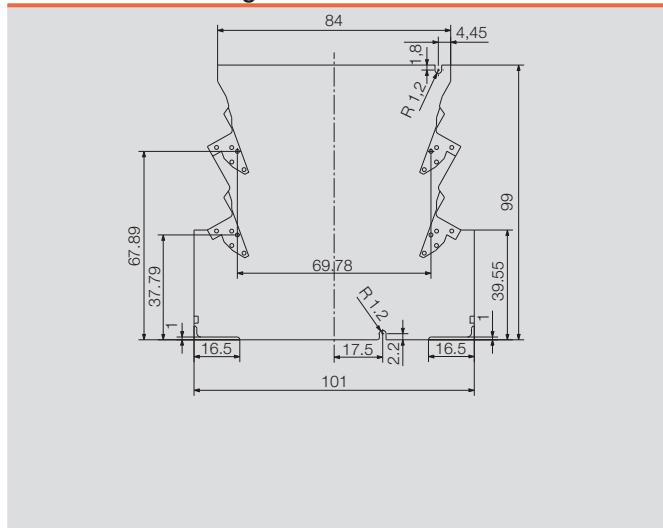


see drawing
Pluggable screw-type connections
Max. 12 connections on three levels
IP20
V0
black
PA

Type	Qty.	Order No.
CH20M12 B BK/OR	10	1104180000
CH20M12 F BK	10	1104190000
CH20M12 S PPSC BK	10	1104200000
CH20M12 C BK	100	1104240000
SHL-SMT 5.00/02GR 4.2BX	120	1069550000
SHL-SMT 5.00/02GL 4.2BX	120	1069620000
BHZ 5.00/02/90LH BK/BL	100	1069360000

ESG 8/13.5/43.3 SAI AU	5	1912130000
------------------------	---	------------

Dimensioned drawing of the PCB



## CH20M component housing

Available in second quarter 2009

For current technical data, see [www.weidmueller.com](http://www.weidmueller.com)!

### Technical data

General data	
Dimensions W x L x H	mm
Connection system	
Number of connections	
Protection class	
UL 94 flammability class	
Colour	
Material	
Information	

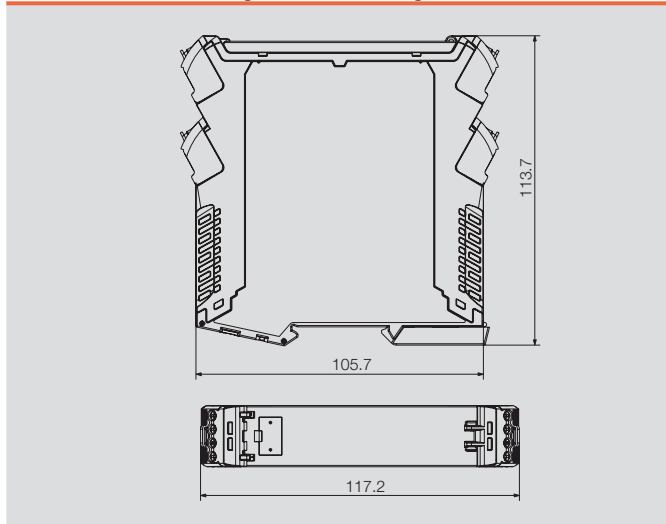
### Ordering data

Individual parts	
CH20M BASE element	Base element black, foot orange
CH20M FRONT element	black
CH20M SIDE element	2 connection levels, black
CH20M COVER element	Swivelling cover, black-transparent
Connection system	
Pin block, right	black
Pin block, left	black
Socket connector	Socket connector black / release lever orange

### Accessories

	SAI Active universal		
	BHZ device marker, 4-poles; white; V-2		

### Dimensioned drawing of the housing



## CH20M22

Modular component housing for electronic components with widths of 22.5 mm, pluggable connections for max. 24 conductors

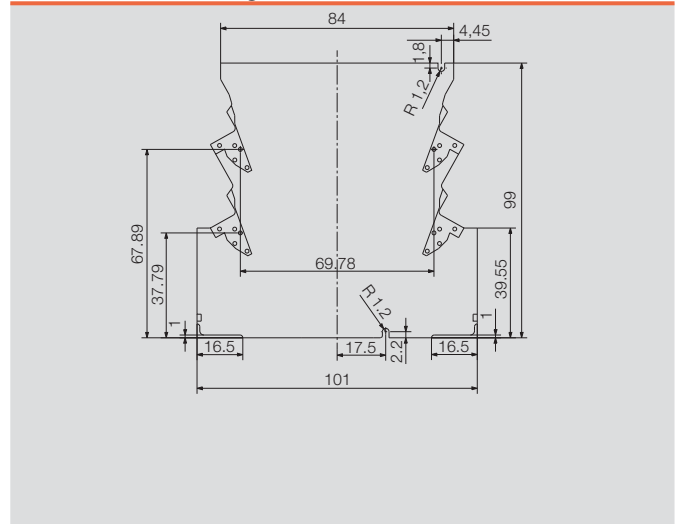


see drawing
Pluggable screw-type connections
Max. 24 connections on three levels
IP20
V0
black
PA

Type	Qty.	Order No.
CH20M22 B BK/OR	10	1104450000
CH20M22 F BK	10	2418640000
CH20M22 S PPSC BK	10	2418650000
CH20M22 C BK	100	2418670000
SHL-SMT 5.00/04GR 4.2BX	120	1069570000
SHL-SMT 5.00/04GL 4.2BX	120	1069640000
BHZ 5.00/04/90LH BK/BL	100	1069380000

ESG 8/13.5/43.3 SAI AU	5	1912130000
ESG 6.6/20 BHZ 5.00/04	200	1082540000

### Dimensioned drawing of the PCB



## CH20M component housing

Available in second quarter 2009

For current technical data, see [www.weidmueller.com](http://www.weidmueller.com)!

### Technical data

General data	
Dimensions W x L x H	mm
Connection system	
Number of connections	
Protection class	
UL 94 flammability class	
Colour	
Material	
Information	

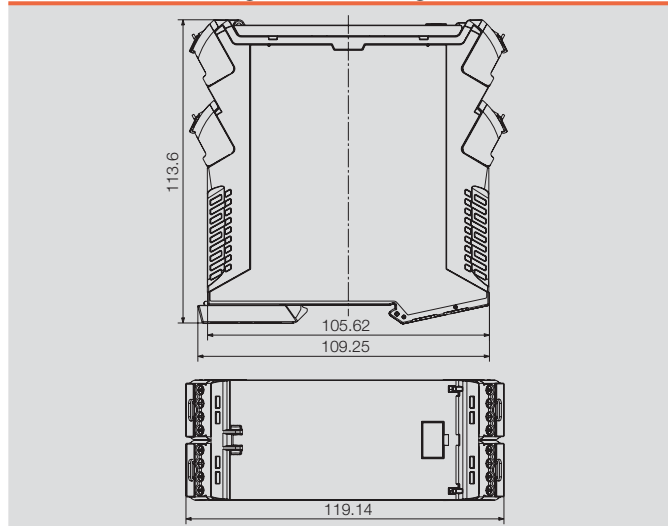
### Ordering data

Individual parts	
CH20M BASE element	Base element black, foot orange
CH20M FRONT element	black
CH20M SIDE element	2 connection levels, black
CH20M COVER element	Swivelling cover, black-transparent
Connection system	
Pin block, right	black
Pin block, left	black
Socket connector	Socket connector black / release lever orange

### Accessories

	SAI Active universal		
	BHZ device marker, 4-poles; white; V-2		

### Dimensioned drawing of the housing



## CH20M45

Modular component housing for electronic components with widths of 45 mm, pluggable connections for max. 48 conductors



see drawing
Pluggable screw-type connections
Max. 48 connections on three levels
IP20
V0
black
PA

Type	Qty.	Order No.
CH20M45 B BK/OR	10	1104410000
CH20M45 F BK	10	1104420000
CH20M45 S PPSC BK	10	1111720000
CH20M45 C BK	100	1104430000
SHL-SMT 5.00/04GR 4.2BX	120	1069570000
SHL-SMT 5.00/04GL 4.2BX	120	1069640000
BHZ 5.00/04/90LH BK/BL	100	1069380000

ESG 8/13.5/43.3 SAI AU	5	1912130000
ESG 6.6/20 BHZ 5.00/04	200	1082540000

### Dimensioned drawing of the PCB

